

Part No.:

1413

MATERIAL: AISI 304 (SS)

Approx. Weight: 10.85 lbs

Surf. Area: 11.19 sq. ft.

THICKNESS: 18 Ga. (0.0478)

ICONIC ELEMENTS

PROPRIETARY AND CONFIDENTIAL
NO PART OF THIS DOCUMENT MAY BE REPRODUCED, STORED IN A RETRIEVAL SYSTEM, OR TRANSMITTED IN ANY FORM, WITHOUT THE WRITTEN PERMISSION OF Iconic Elements Inc.

FINISH: Mirror (#8)

TITLE:

Light Bar

DWG. NO.: 3802-0-00-A

REV: SHEET:

A 1 OF 1

5

4

3

2

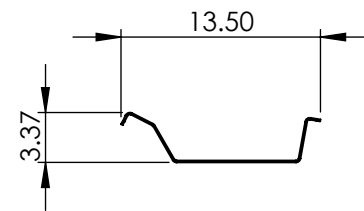
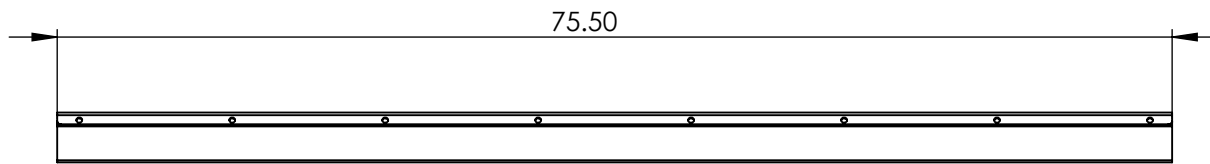
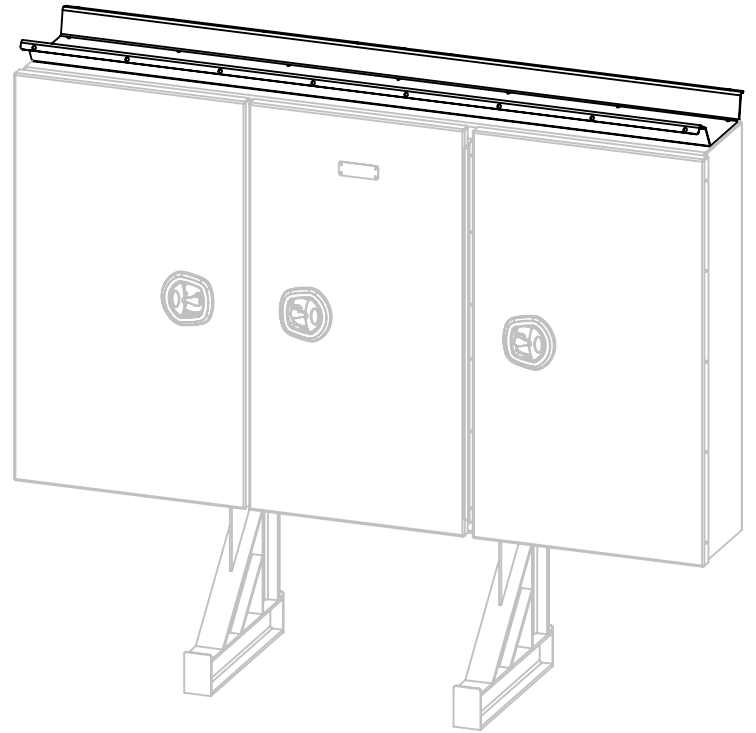
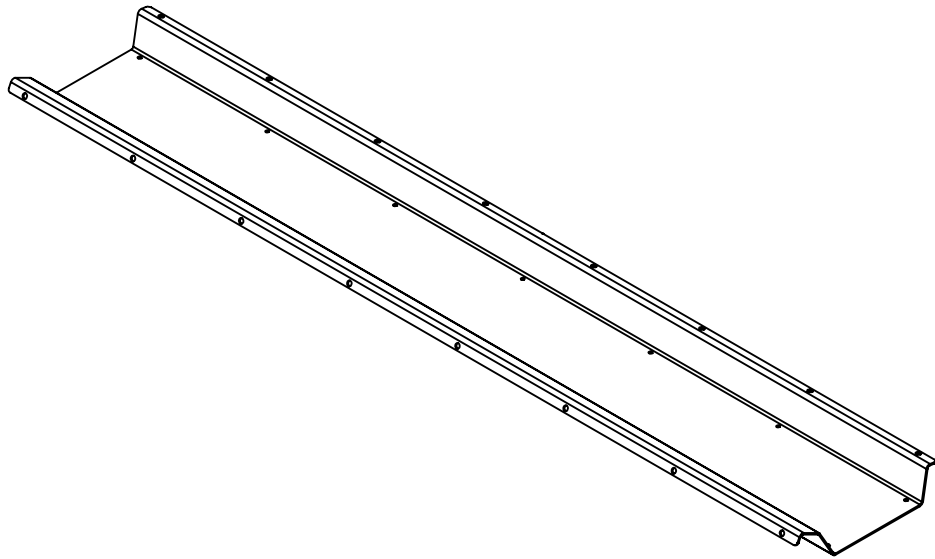
1

D

C

B

A



Part No.:

1418

MATERIAL: 5052 (Alu)

Approx. Weight: 6.16 lbs

Surf. Area: 18.77 sq. ft.

THICKNESS: 0.125

ICONIC ELEMENTS

PROPRIETARY AND CONFIDENTIAL
NO PART OF THIS DOCUMENT MAY BE REPRODUCED, STORED IN A RETRIEVAL SYSTEM, OR TRANSMITTED IN ANY FORM, WITHOUT THE WRITTEN PERMISSION OF Iconic Elements Inc.

FINISH: Smooth

TITLE:

SS-Tarp Tray

DWG. NO.: 3803-0-00-A

REV: SHEET:

A 1 OF 1

5

4

3

2

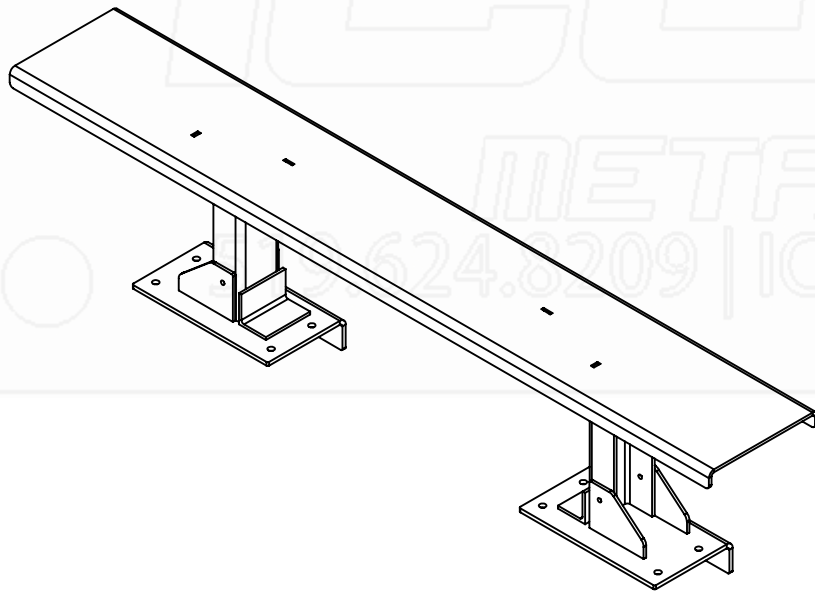
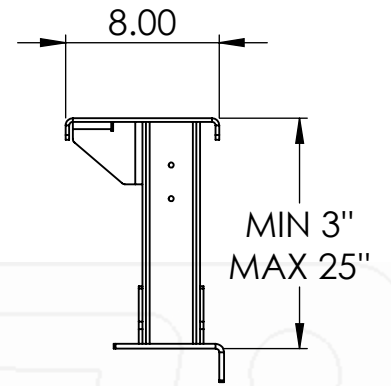
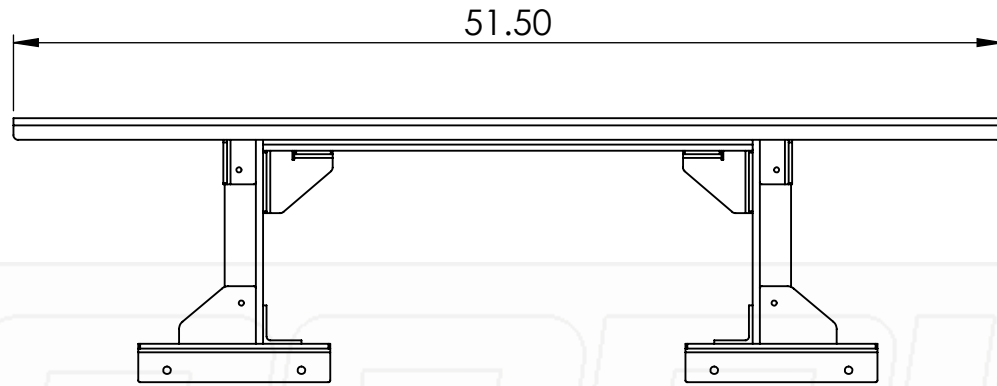
1

D

C

B

A



Part No.:

1438

MATERIAL: 5052 (Alum)

THICKNESS: 0.188

FINISH: Smooth

DWG. NO.: 3800-23-00-A

Approx. Weight: 16.75 lbs

Surf. Area: 15.18 sq. ft.

ICONIC ELEMENTS (ICONIC METALGEAR) TITLE:

PROPRIETARY AND CONFIDENTIAL
NO PART OF THIS DOCUMENT MAY BE REPRODUCED, STORED IN A RETRIEVAL SYSTEM, OR TRANSMITTED IN ANY FORM, WITHOUT THE WRITTEN PERMISSION OF Iconic Elements Inc. (ICONIC METALGEAR)

Light Bar Bracket

REV: SHEET:

A 1 OF 1

5

4

3

2

1

D

C

B

A