

**** (2) PCS REQUIRED FOR EACH RACK ****

Part No.:	MATERIAL: AL-SM-1/8-T	THICKNESS: 0.125	FINISH: Smooth (T)	DWG. NO.: 3812-0-00-F
1419	Approx. Weight: 7.24 lbs	ICONIC ELEMENTS (ICONIC METALGEAR) TITLE:		REV: SHEET:
	Surf. Area: 8.47 sq. ft.	<small>PROPRIETARY AND CONFIDENTIAL NO PART OF THIS DOCUMENT MAY BE REPRODUCED, STORED IN A RETRIEVAL SYSTEM, OR TRANSMITTED IN ANY FORM, WITHOUT THE WRITTEN PERMISSION OF Iconic Elements Inc. (ICONIC METALGEAR)</small>		F 1 OF 1
			Roll Up-Tarp Tray	

5

4

3

2

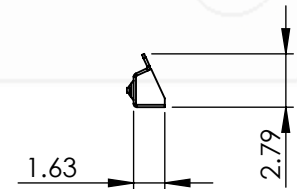
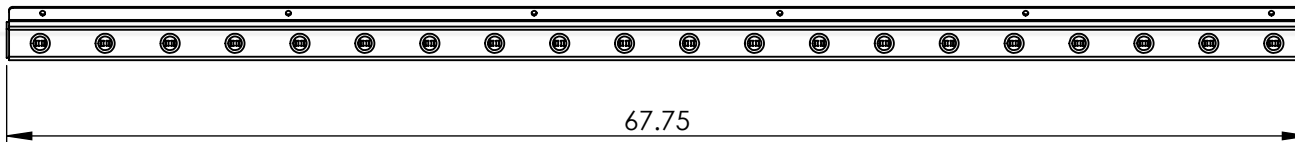
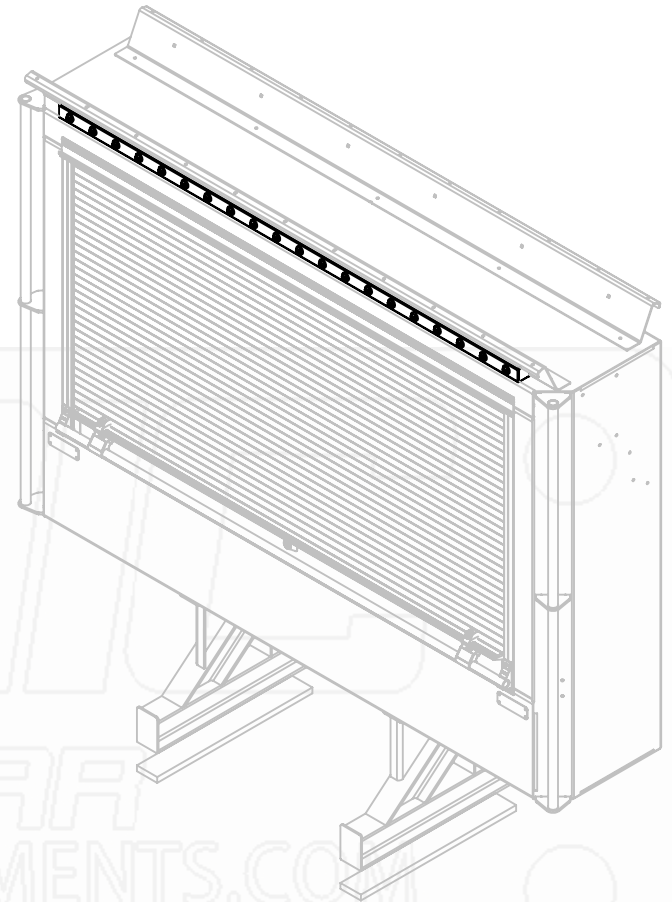
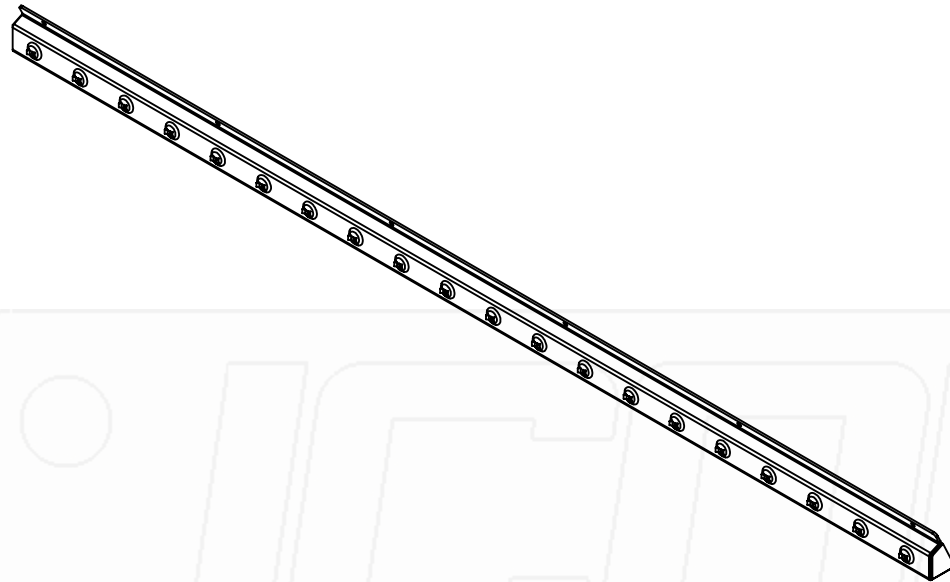
1

D

C

B

A



****THIS LIGHT BAR IS SOLD WHEN RACK HAS A TARP TRAY.****
****THIS BOLTS ON TO THE TARP TRAY.****

Part No.: 1421	MATERIAL: 5052 (Alum)	THICKNESS: 0.125	FINISH: Smooth	DWG. NO.: 3811-0-00-F-VC
	Approx. Weight: 4.08 lbs	ICONIC ELEMENTS (ICONIC METALGEAR) TITLE:		REV: SHEET:
	Surf. Area: 372.83 sq. ft.	<small>PROPRIETARY AND CONFIDENTIAL NO PART OF THIS DOCUMENT MAY BE REPRODUCED, STORED IN A RETRIEVAL SYSTEM, OR TRANSMITTED IN ANY FORM, WITHOUT THE WRITTEN PERMISSION OF Iconic Elements Inc. (ICONIC METALGEAR)</small>		F 1 OF 1

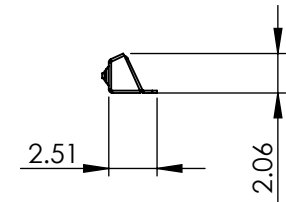
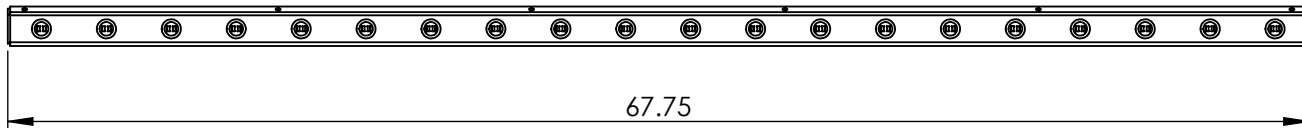
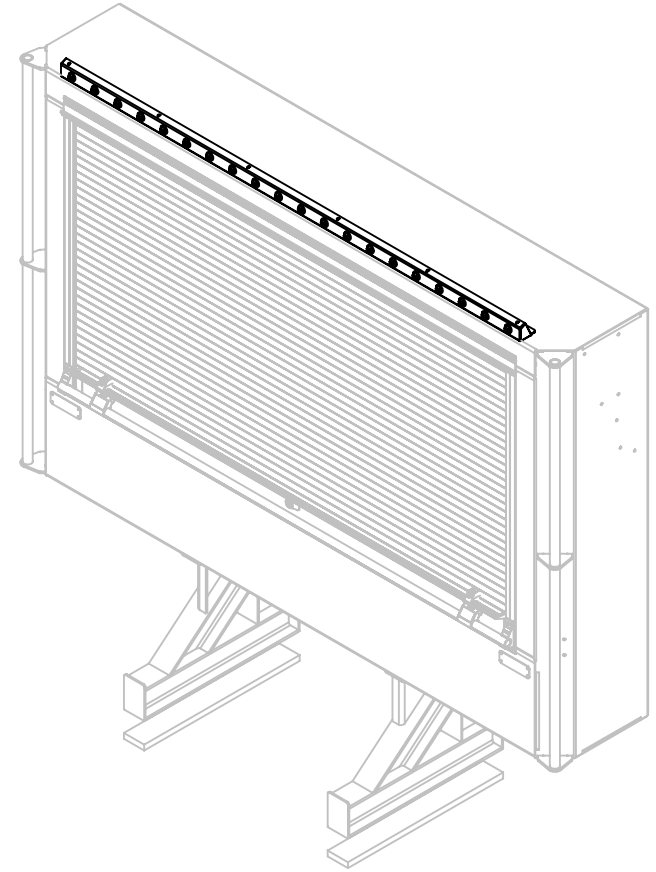
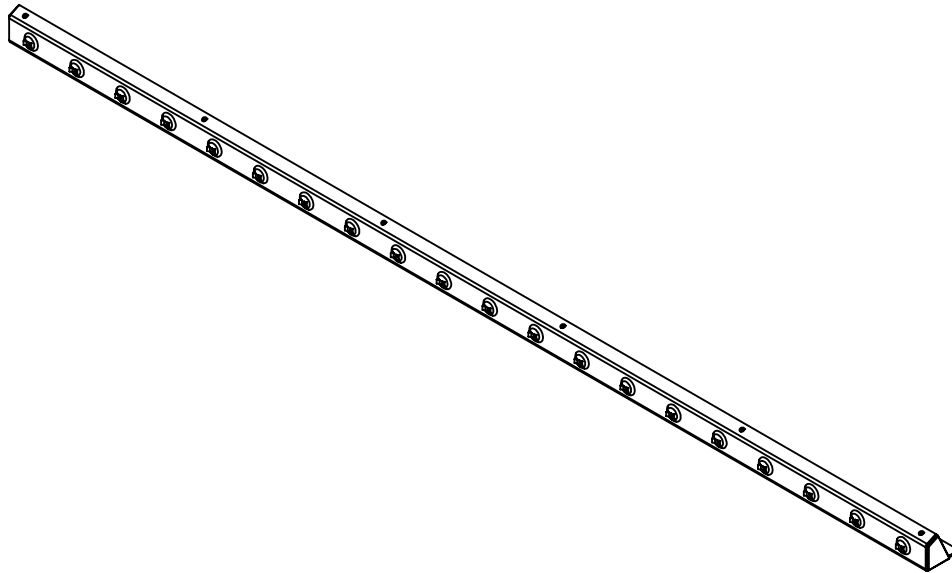
5

4

3

2

1



****SELF TAPERS INCLUDED****

Part No.: 1430	MATERIAL: 5052 (Alum) Approx. Weight: 6.23 lbs Surf. Area: 7.63 sq. ft.	THICKNESS: 0.125 ICONIC ELEMENTS <small>PROPRIETARY AND CONFIDENTIAL NO PART OF THIS DOCUMENT MAY BE REPRODUCED, STORED IN A RETRIEVAL SYSTEM, OR TRANSMITTED IN ANY FORM, WITHOUT THE WRITTEN PERMISSION OF Iconic Elements Inc.</small>	FINISH: Smooth TITLE: Roll-Up Light Bar (Self Tap on)	DWG. NO.: 3800-18-00-C REV: C	SHEET: 1 OF 1
--------------------------	---	---	--	---	-------------------------

5

4

3

2

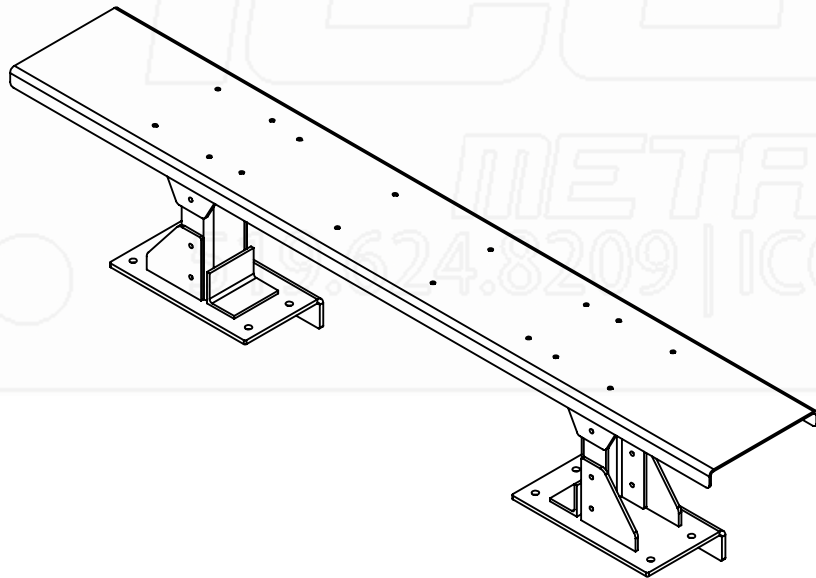
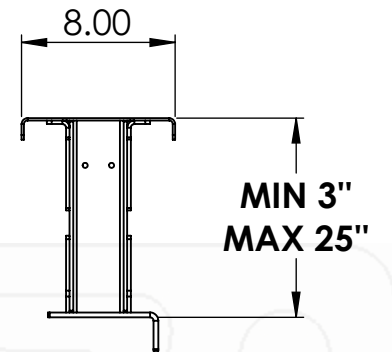
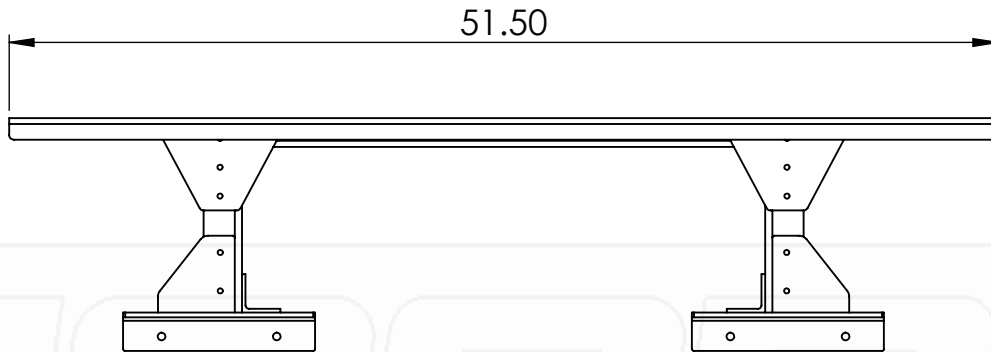
1

D

C

B

A



Part No.:

1438

MATERIAL: 5052 (Alum)

Approx. Weight: 17.67 lbs

Surf. Area: 16.56 sq. ft.

THICKNESS: 0.125

ICONIC ELEMENTS (ICONIC METALGEAR) TITLE:

PROPRIETARY AND CONFIDENTIAL
NO PART OF THIS DOCUMENT MAY BE REPRODUCED, STORED IN A RETRIEVAL SYSTEM, OR TRANSMITTED IN ANY FORM, WITHOUT THE WRITTEN PERMISSION OF Iconic Elements Inc. (ICONIC METALGEAR)

FINISH: Smooth

Top Mounted Light Bar

DWG. NO.: 3800-23-00-B

REV: SHEET:

B 1 OF 1

5

4

3

2

1

D

C

B

A