

D
C
B
A

Part No.:

1300

MATERIAL: 3003 (Alum)

Approx. Weight: 134.37 lbs

Surf. Area: 197.46 sq. ft.

THICKNESS: 0.125

ICONIC ELEMENTS

PROPRIETARY AND CONFIDENTIAL
NO PART OF THIS DOCUMENT MAY BE REPRODUCED, STORED IN A RETRIEVAL SYSTEM, OR TRANSMITTED IN ANY FORM, WITHOUT THE WRITTEN PERMISSION OF Iconic Elements Inc.

FINISH: Checker

TITLE:

70" Standard Headache Rack

DWG. NO.: 3701-0-00-C

REV: SHEET:

C 1 OF 1

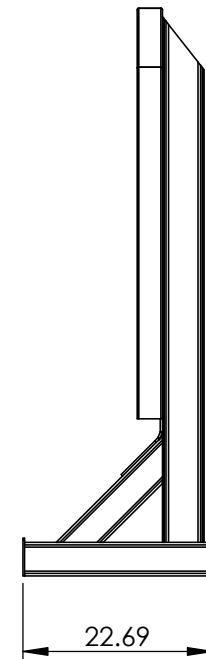
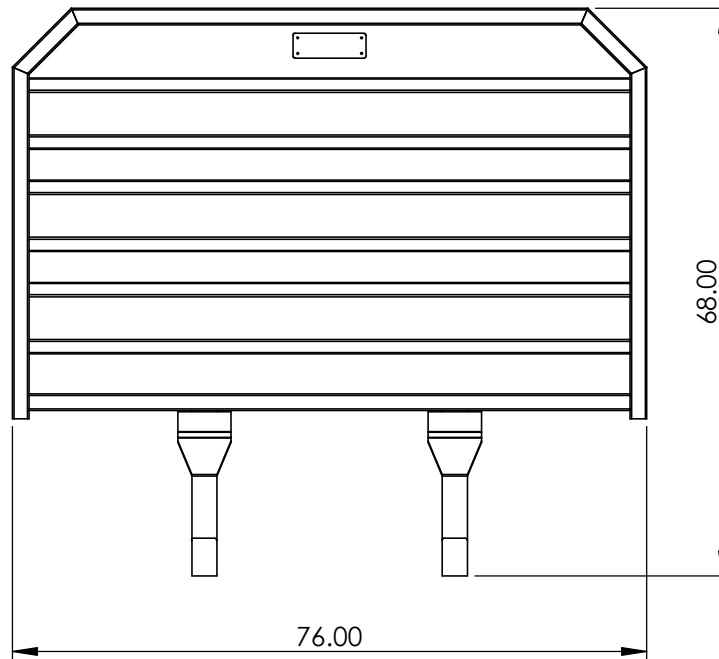
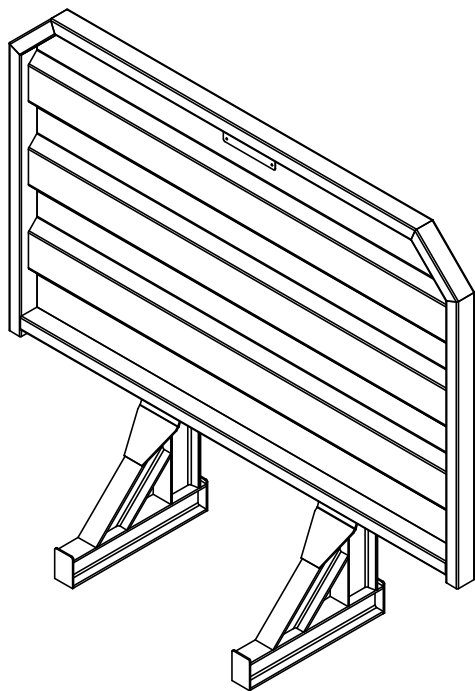
5

4

3

2

1



D
C
B
A

Part No.:

1301

MATERIAL: 3003 (Alum)

Approx. Weight: 140.40 lbs

Surf. Area: 107.45 sq. ft.

THICKNESS: 0.125

ICONIC ELEMENTS

PROPRIETARY AND CONFIDENTIAL
NO PART OF THIS DOCUMENT MAY BE REPRODUCED, STORED IN A RETRIEVAL SYSTEM, OR TRANSMITTED IN ANY FORM, WITHOUT THE WRITTEN PERMISSION OF Iconic Elements Inc.

FINISH: Checker

TITLE:

76" Standard Headache Rack

DWG. NO.: 3702-0-00-C

REV: SHEET:

C 1 OF 1

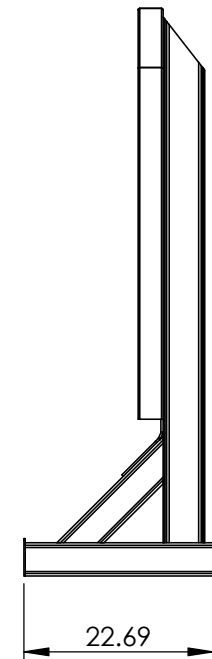
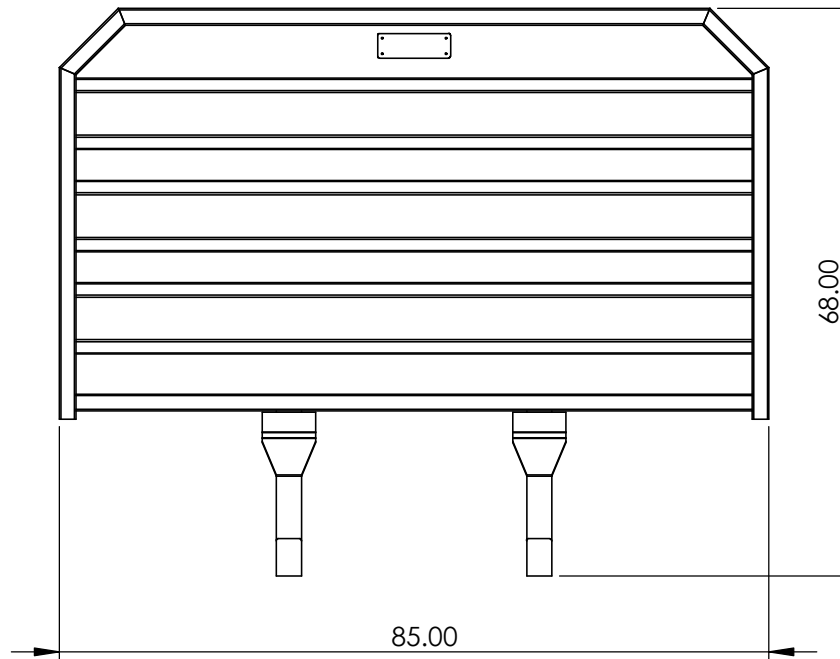
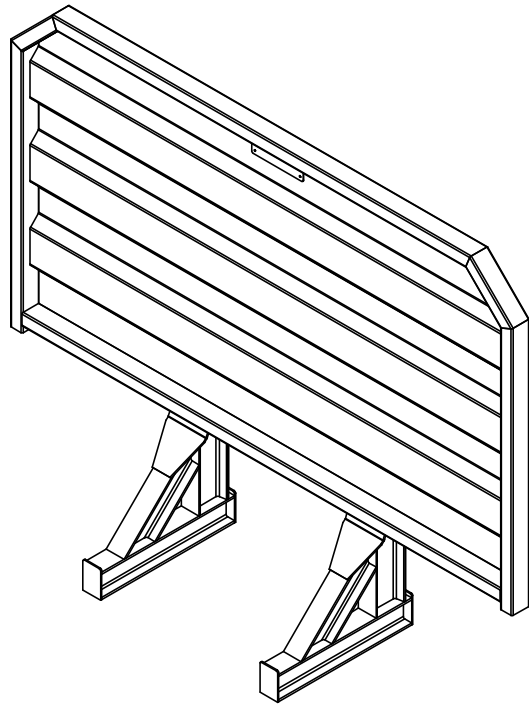
5

4

3

2

1



Part No.:

1302

MATERIAL: 3003 (Alum)

Approx. Weight: 149.57 lbs

Surf. Area: 231.39 sq. ft.

THICKNESS: 0.125

ICONIC ELEMENTS

PROPRIETARY AND CONFIDENTIAL

NO PART OF THIS DOCUMENT MAY BE REPRODUCED, STORED IN A RETRIEVAL SYSTEM, OR TRANSMITTED IN ANY FORM, WITHOUT THE WRITTEN PERMISSION OF Iconic Elements Inc.

FINISH: Checker

TITLE:

86" Standard Headache Rack

DWG. NO.: 3703-0-00-C

REV: SHEET:

C 1 OF 1

5

4

3

2

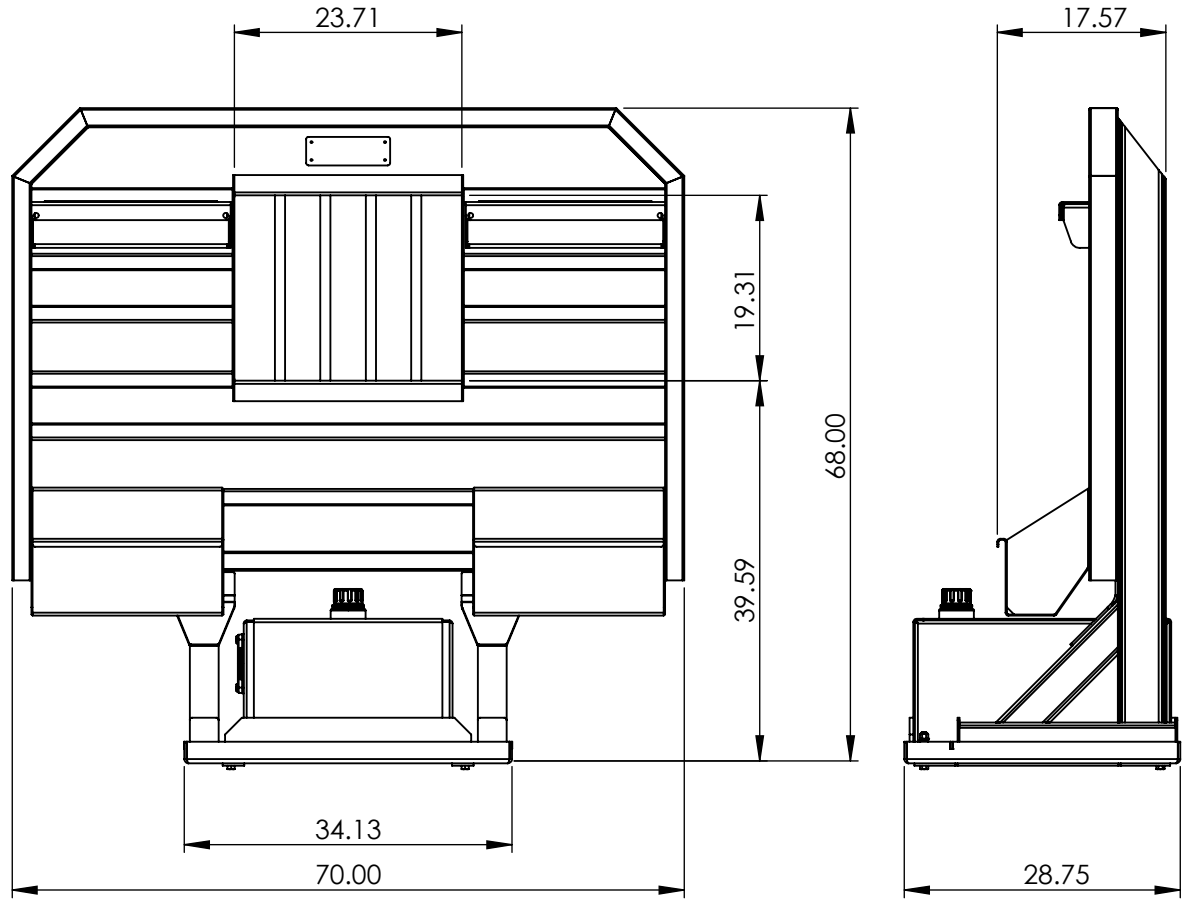
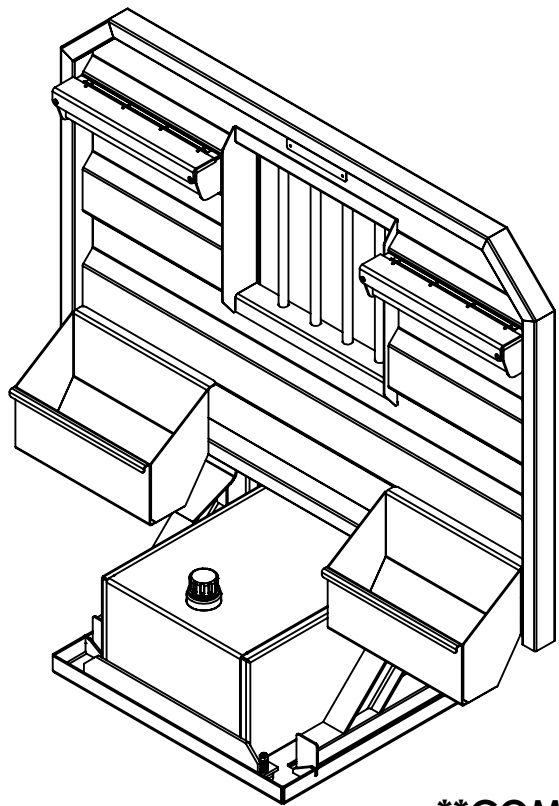
1

D

C

B

A



****COMES AS SHOWN AND INCLUDES ALL INSTALLATION HARDWARE & INSTRUCTIONS****

Part No.:

1351

MATERIAL: 3003 (Alum)

Approx. Weight: 200.33 lbs

Surf. Area: 196.66 sq. ft.

THICKNESS: 0.125

ICONIC ELEMENTS

PROPRIETARY AND CONFIDENTIAL
NO PART OF THIS DOCUMENT MAY BE REPRODUCED, STORED IN A RETRIEVAL SYSTEM, OR TRANSMITTED IN ANY FORM, WITHOUT THE WRITTEN PERMISSION OF Iconic Elements Inc.

FINISH: Checker

TITLE:

70" Standard Headache Rack

DWG. NO.: 3704-0-00-C

CON FIG.: Combo 30

REV: SHEET:

C 1 OF 1

5

4

3

2

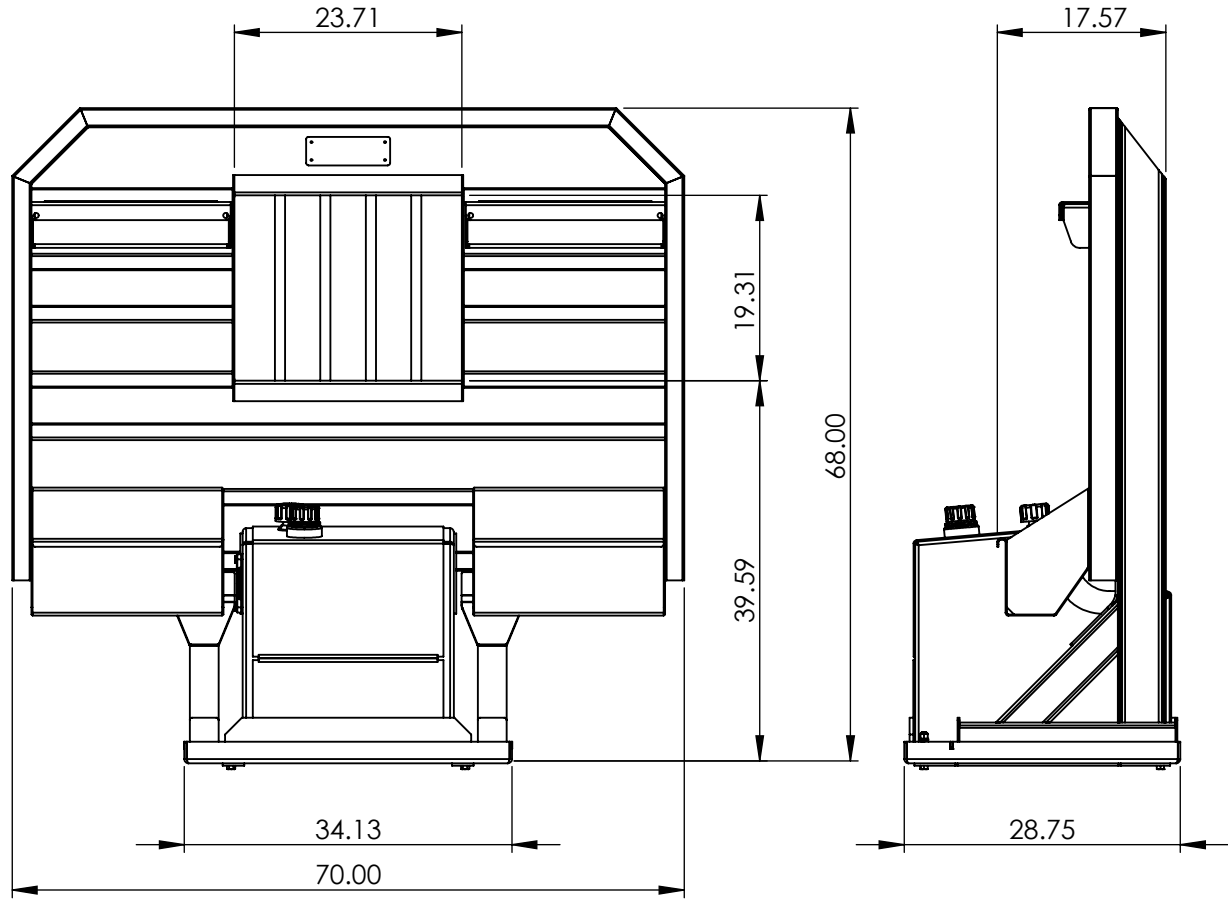
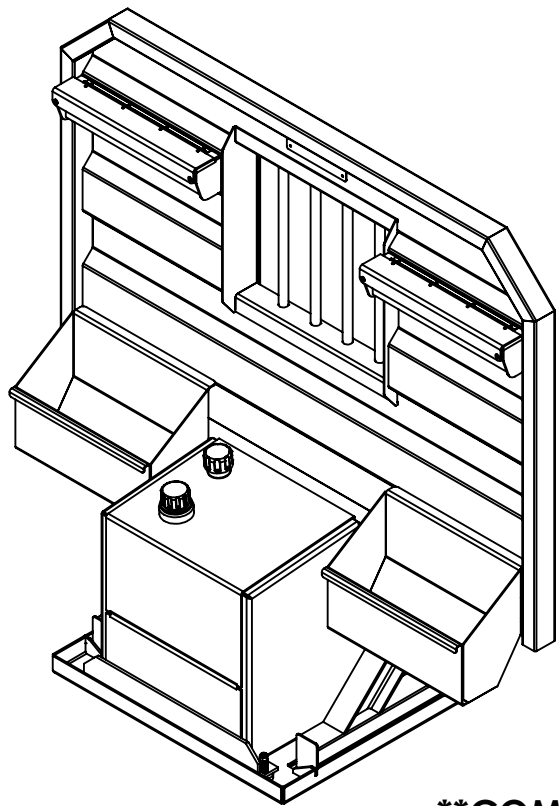
1

D

C

B

A



****COMES AS SHOWN AND INCLUDES ALL INSTALLATION HARDWARE & INSTRUCTIONS****

Part No.:	MATERIAL: 3003 (Alum)	THICKNESS: 0.125	FINISH: Checker	DWG. NO.: 3704-0-00-C	CON FIG.: Combo 50
1352	Approx. Weight: 229.65 lbs	ICONIC ELEMENTS		TITLE:	REV: SHEET:
	Surf. Area: 196.66 sq. ft.	<small>PROPRIETARY AND CONFIDENTIAL NO PART OF THIS DOCUMENT MAY BE REPRODUCED, STORED IN A RETRIEVAL SYSTEM, OR TRANSMITTED IN ANY FORM, WITHOUT THE WRITTEN PERMISSION OF Iconic Elements Inc.</small>		70" Standard Headache Rack	C 1 OF 1

5

4

3

2

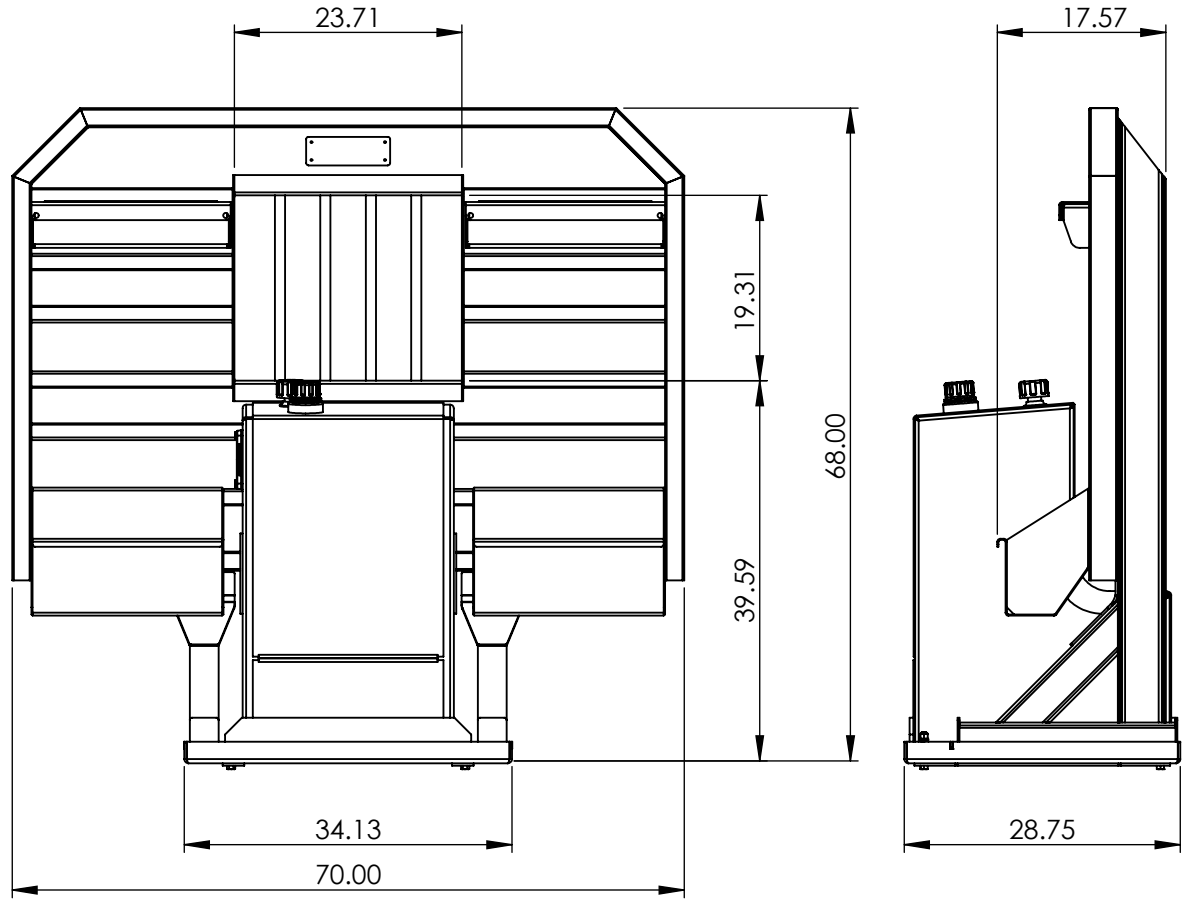
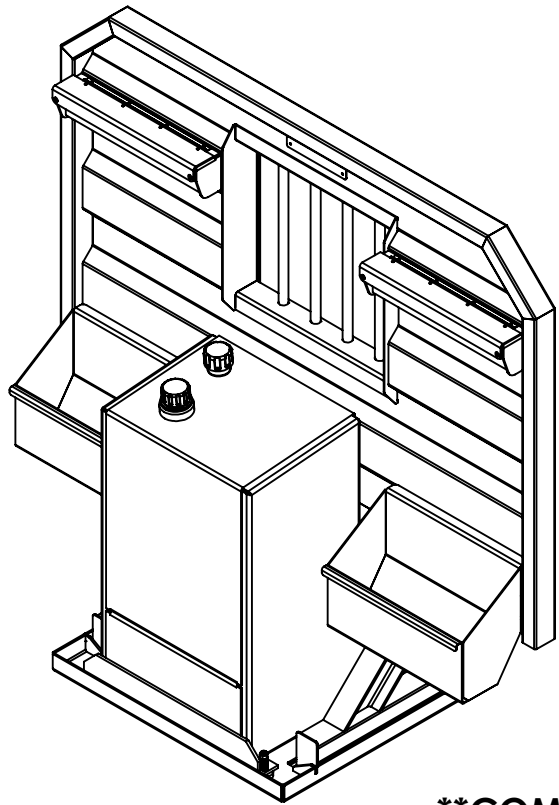
1

D

C

B

A



****COMES AS SHOWN AND INCLUDES ALL INSTALLATION HARDWARE & INSTRUCTIONS****

Part No.:

1353

MATERIAL: 3003 (Alum)

THICKNESS: 0.125

FINISH: Checker

DWG. NO.: 3704-0-00-C

CON FIG.: Combo 70

Approx. Weight: 238.10 lbs

ICONIC ELEMENTS

TITLE:

REV: SHEET:

Surf. Area: 196.66 sq. ft.

PROPRIETARY AND CONFIDENTIAL
NO PART OF THIS DOCUMENT MAY BE REPRODUCED, STORED IN A RETRIEVAL SYSTEM, OR TRANSMITTED IN ANY FORM, WITHOUT THE WRITTEN PERMISSION OF Iconic Elements Inc.

70" Standard Headache Rack

C 1 OF 1

5

4

3

2

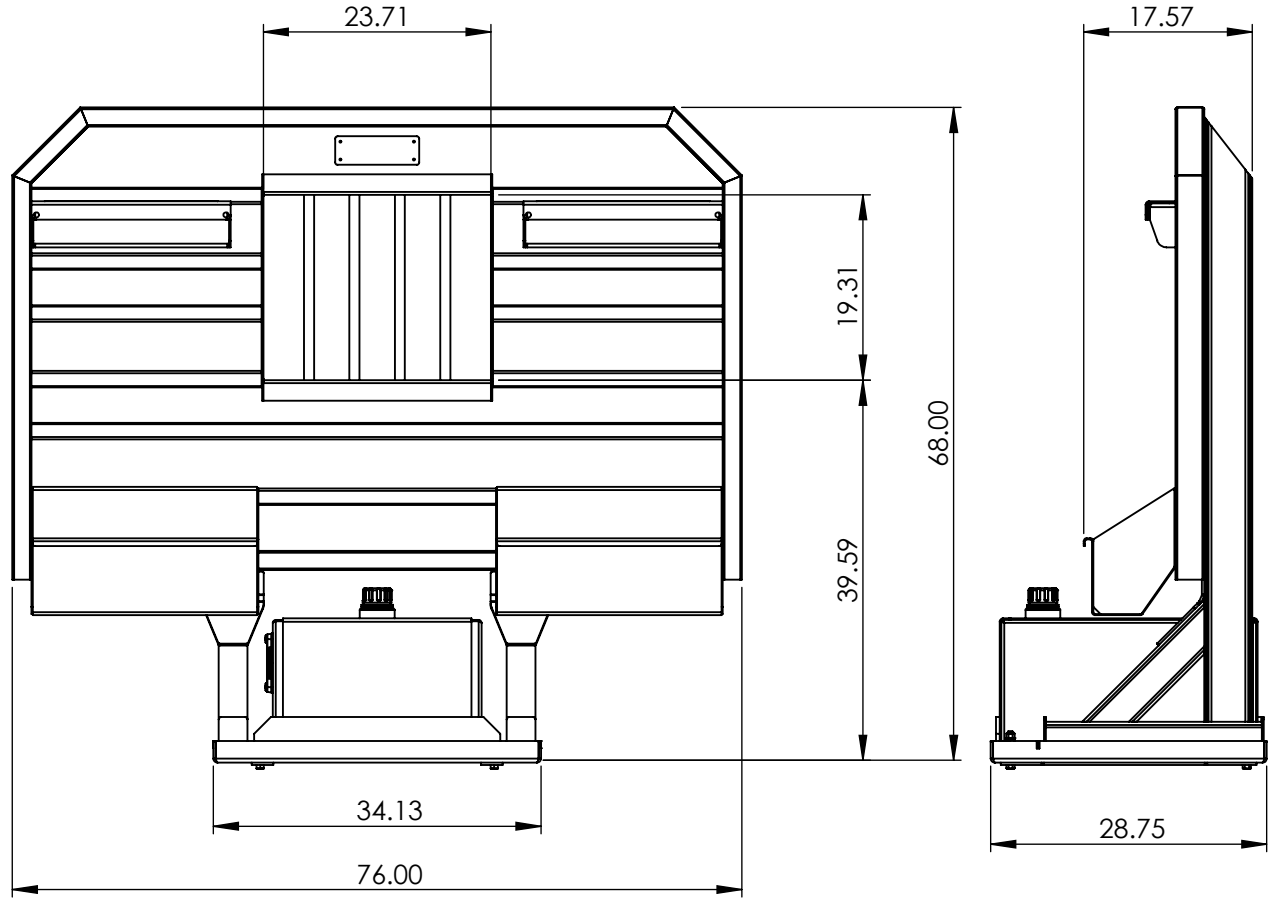
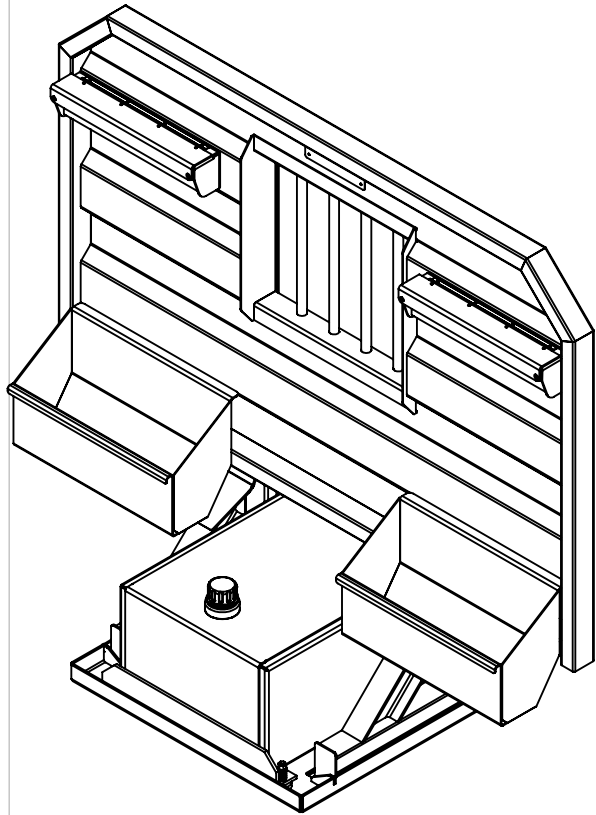
1

D

C

B

A



****COMES AS SHOWN AND INCLUDES ALL INSTALLATION HARDWARE & INSTRUCTIONS****

Part No.:

1355

MATERIAL: 3003 (Alum)

Approx. Weight: 233.87 lbs

Surf. Area: 225.16 sq. ft.

THICKNESS: 0.125

ICONIC ELEMENTS

PROPRIETARY AND CONFIDENTIAL
NO PART OF THIS DOCUMENT MAY BE REPRODUCED, STORED IN A RETRIEVAL SYSTEM, OR TRANSMITTED IN ANY FORM, WITHOUT THE WRITTEN PERMISSION OF Iconic Elements Inc.

FINISH: Checker

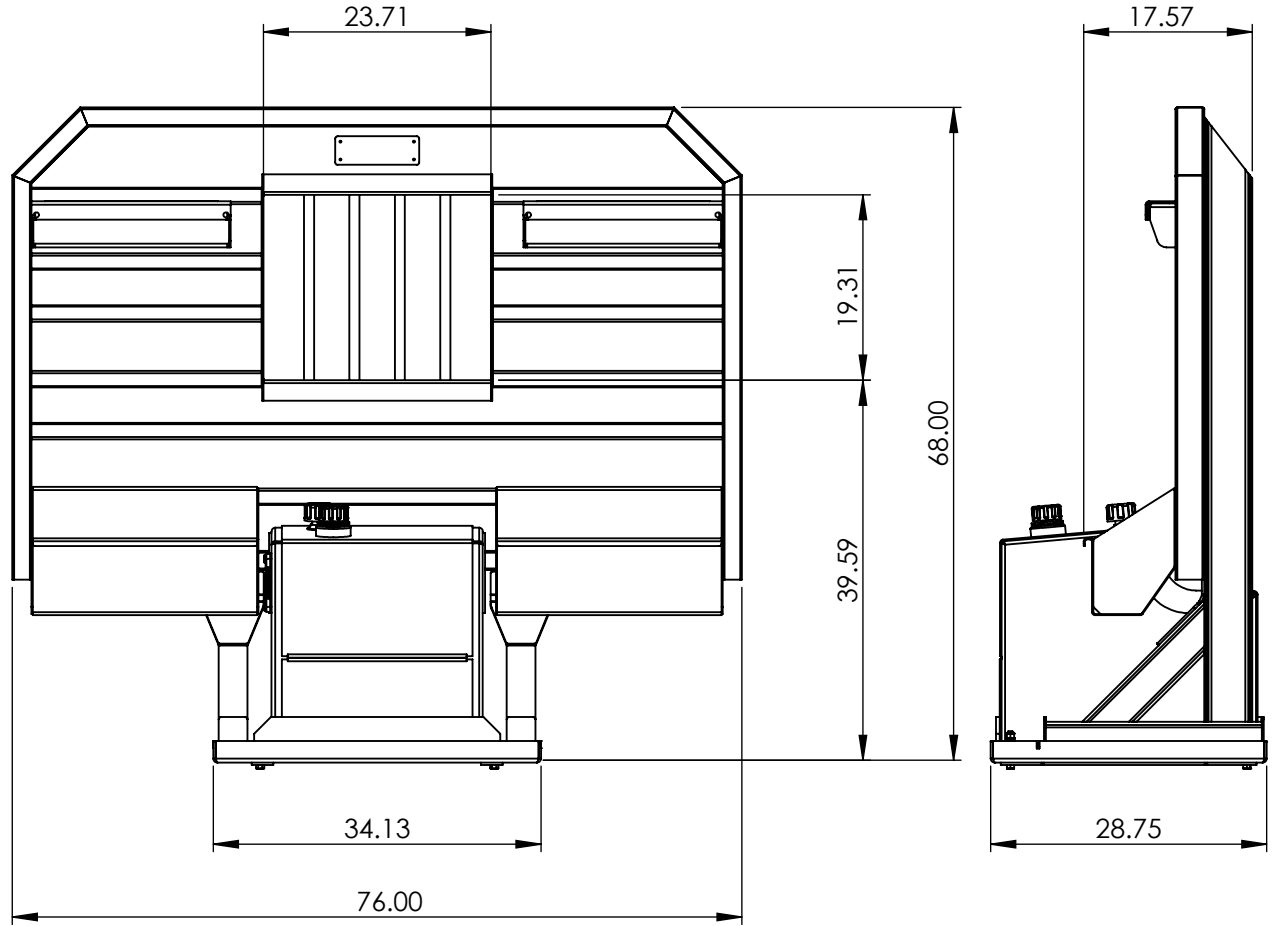
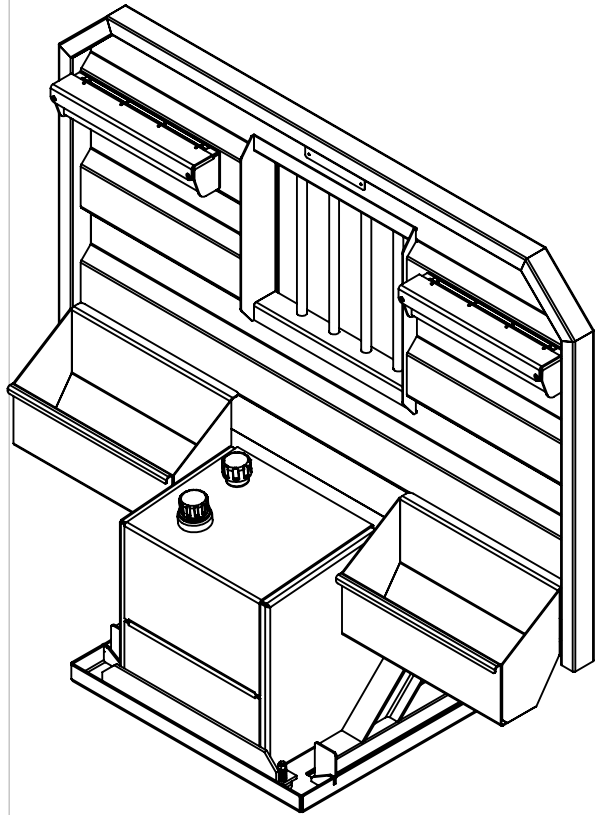
TITLE:

76" Standard Headache Rack

DWG. NO.: 3705-0-00-C

REV: SHEET:

C 1 OF 1



****COMES AS SHOWN AND INCLUDES ALL INSTALLATION HARDWARE & INSTRUCTIONS****

Part No.:

1356

MATERIAL: 3003 (Alum)

THICKNESS: 0.125

FINISH: Checker

DWG. NO.: 3705-0-00-C

Approx. Weight: 263.20 lbs

ICONIC ELEMENTS

TITLE:

REV: SHEET:

Surf. Area: 225.16 sq. ft.

PROPRIETARY AND CONFIDENTIAL
NO PART OF THIS DOCUMENT MAY BE REPRODUCED, STORED IN A RETRIEVAL SYSTEM, OR TRANSMITTED IN ANY FORM, WITHOUT THE WRITTEN PERMISSION OF Iconic Elements Inc.

76" Standard Headache Rack

C 1 OF 1

5

4

3

2

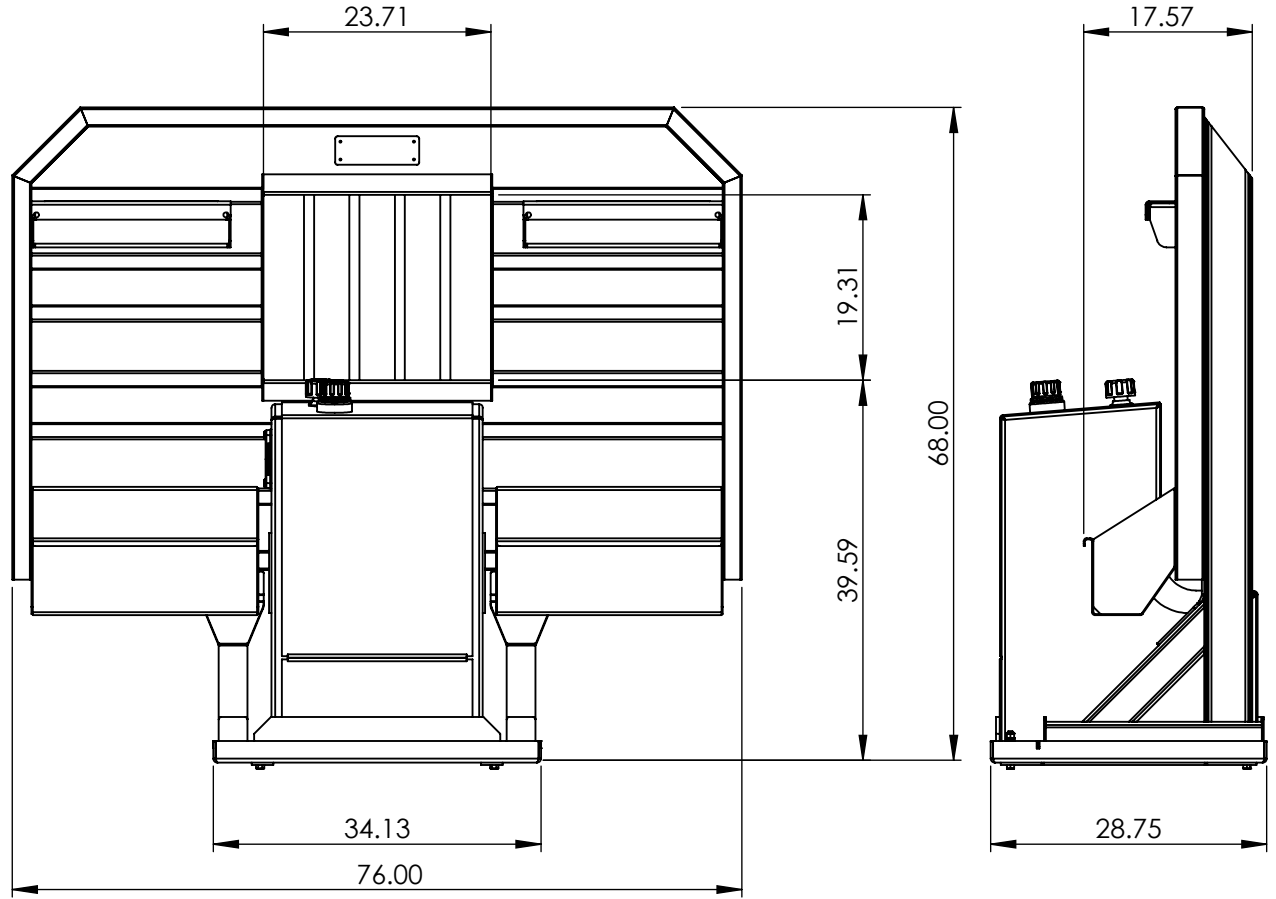
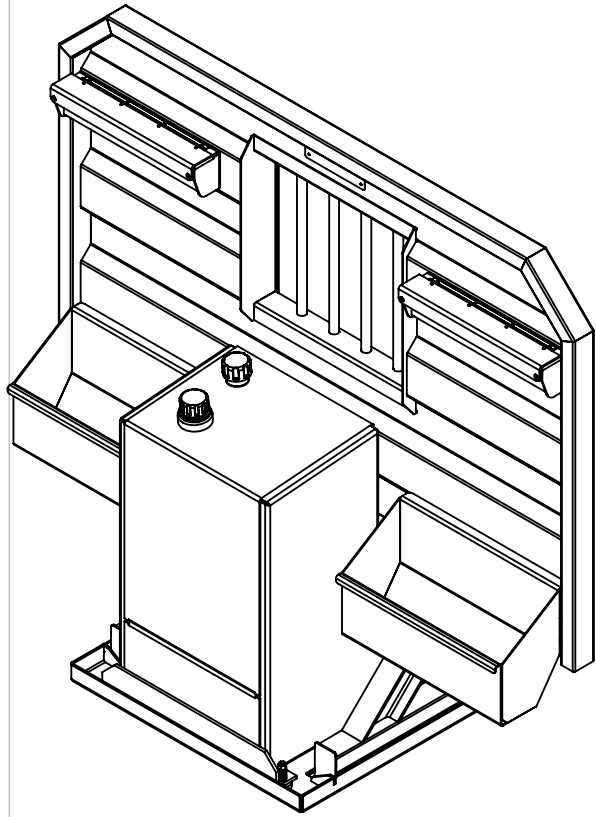
1

D

C

B

A



****COMES AS SHOWN AND INCLUDES ALL INSTALLATION HARDWARE & INSTRUCTIONS****

Part No.: 1357	MATERIAL: 3003 (Alum)	THICKNESS: 0.125	FINISH: Checker	DWG. NO.: 3705-0-00-C
	Approx. Weight: 271.64 lbs	ICONIC ELEMENTS <small>PROPRIETARY AND CONFIDENTIAL NO PART OF THIS DOCUMENT MAY BE REPRODUCED, STORED IN A RETRIEVAL SYSTEM, OR TRANSMITTED IN ANY FORM, WITHOUT THE WRITTEN PERMISSION OF Iconic Elements Inc.</small>		REV: SHEET:
Surf. Area: 225.16 sq. ft.	TITLE: 76" Standard Headache Rack			C 1 OF 1

5

4

3

2

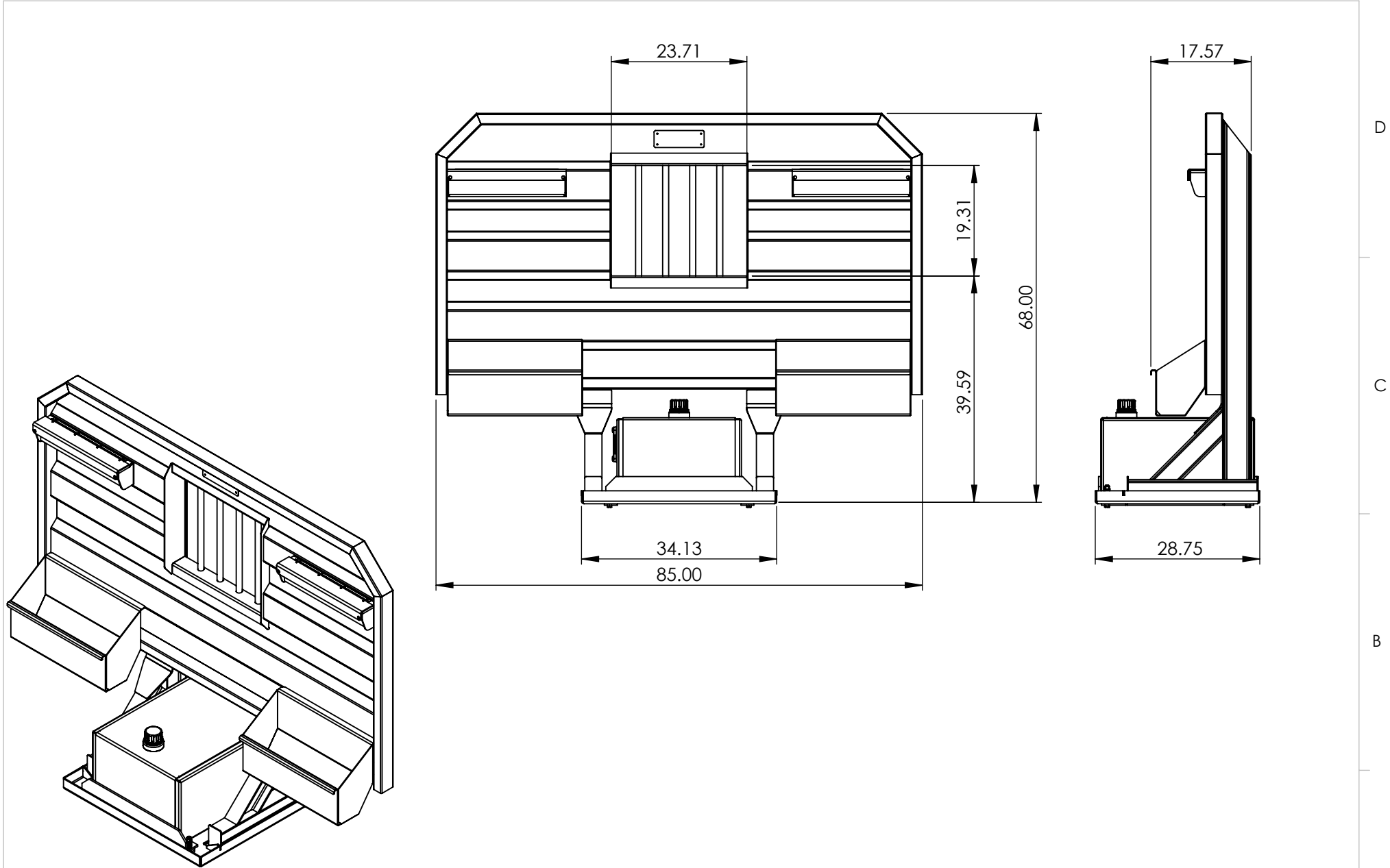
1

D

C

B

A



****COMES AS SHOWN AND INCLUDES ALL INSTALLATION HARDWARE & INSTRUCTIONS****

Part No.:	MATERIAL:	3003 (Alum)	THICKNESS:	0.125	FINISH:	Checker	DWG. NO.:	3706-0-00-C
	1359	Approx. Weight:	243.02 lbs	ICONIC ELEMENTS <small>PROPRIETARY AND CONFIDENTIAL</small> <small>NO PART OF THIS DOCUMENT MAY BE REPRODUCED, STORED IN A RETRIEVAL SYSTEM, OR TRANSMITTED IN ANY FORM, WITHOUT THE WRITTEN PERMISSION OF Iconic Elements Inc.</small>			TITLE:	86" Standard Headache Rack
	Surf. Area:	248.53 sq. ft.					REV:	C
							SHEET:	1 OF 1

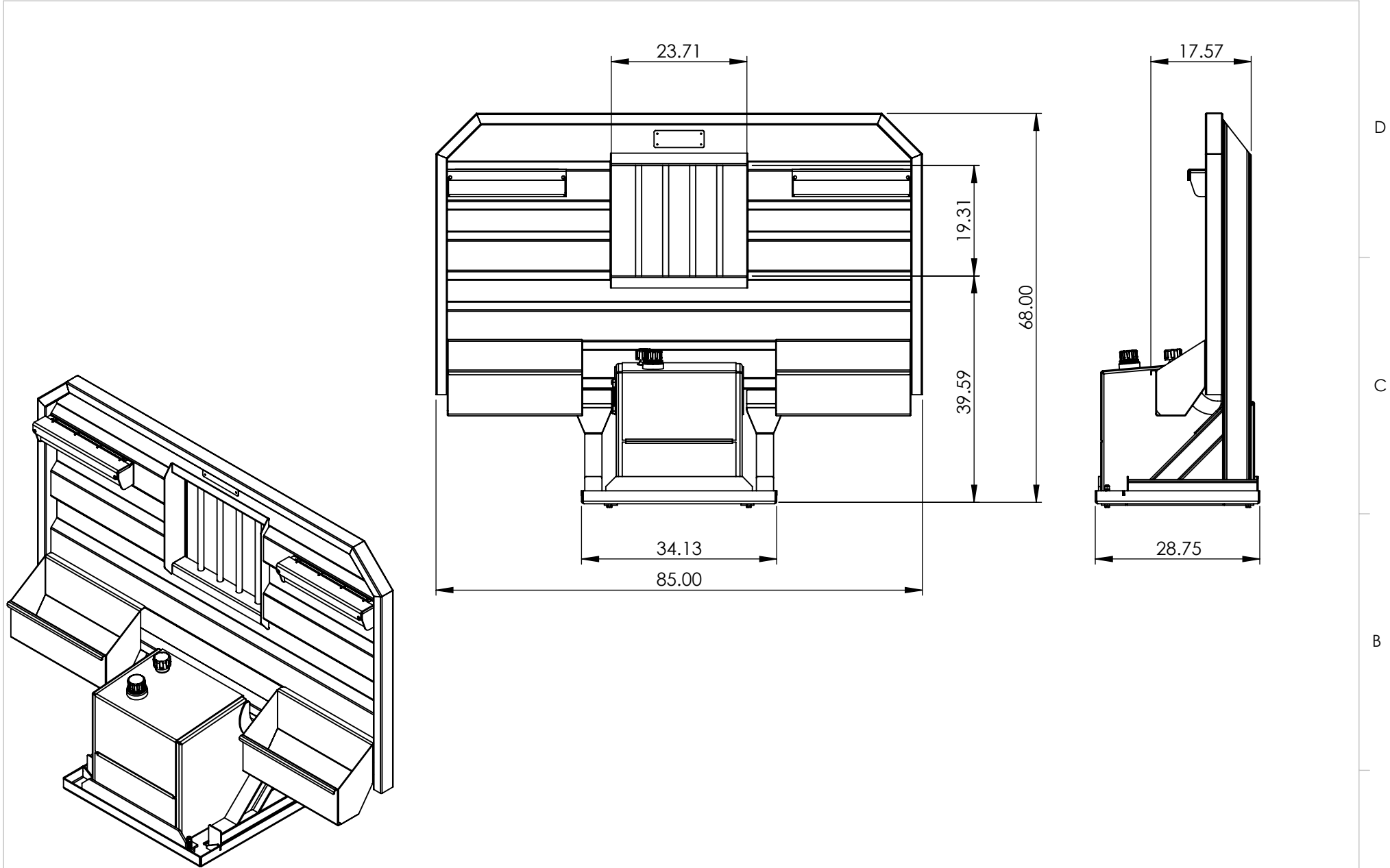
5

4

3

2

1



****COMES AS SHOWN AND INCLUDES ALL INSTALLATION HARDWARE & INSTRUCTIONS****

Part No.:	MATERIAL: 3003 (Alum)	THICKNESS: 0.125	FINISH: Checker	DWG. NO.: 3706-0-00-C
1360	Approx. Weight: 272.35 lbs	ICONIC ELEMENTS		REV: SHEET:
	Surf. Area: 248.53 sq. ft.	<small>PROPRIETARY AND CONFIDENTIAL NO PART OF THIS DOCUMENT MAY BE REPRODUCED, STORED IN A RETRIEVAL SYSTEM, OR TRANSMITTED IN ANY FORM, WITHOUT THE WRITTEN PERMISSION OF Iconic Elements Inc.</small>		C 1 OF 1
5	4	3	2	1

5

4

3

2

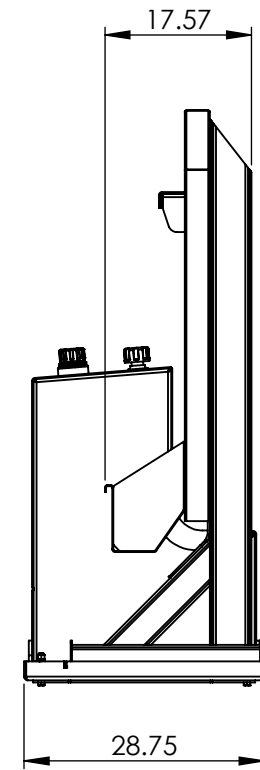
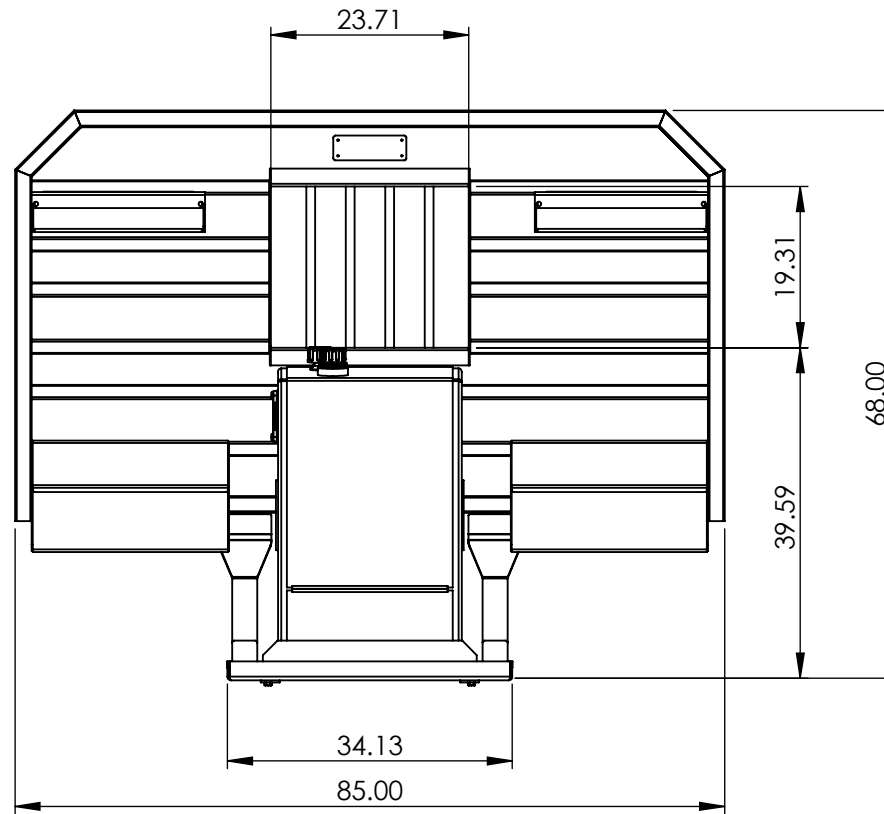
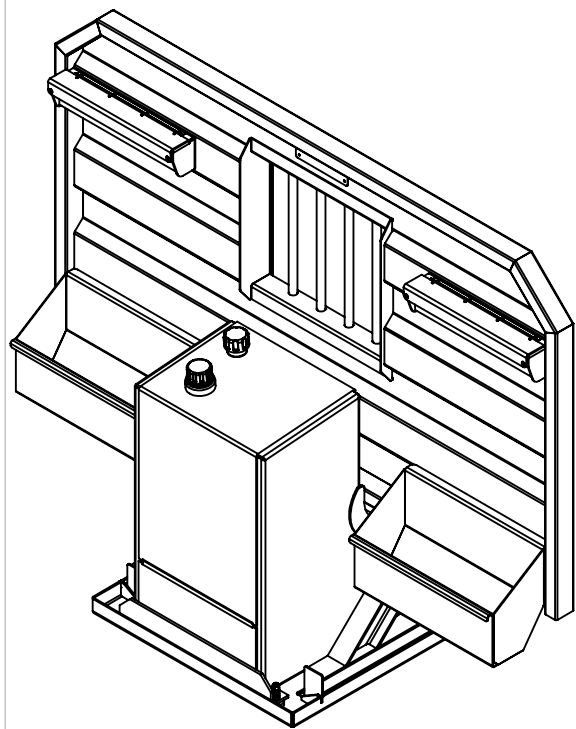
1

D

C

B

A



****COMES AS SHOWN AND INCLUDES ALL INSTALLATION HARDWARE & INSTRUCTIONS****

Part No.: 1361	MATERIAL: 3003 (Alum)	THICKNESS: 0.125	FINISH: Checker	DWG. NO.: 3706-0-00-C
	Approx. Weight: 280.79 lbs	ICONIC ELEMENTS <small>PROPRIETARY AND CONFIDENTIAL NO PART OF THIS DOCUMENT MAY BE REPRODUCED, STORED IN A RETRIEVAL SYSTEM, OR TRANSMITTED IN ANY FORM, WITHOUT THE WRITTEN PERMISSION OF Iconic Elements Inc.</small>		REV: SHEET:
Surf. Area: 248.53 sq. ft.	TITLE: 86" Standard Headache Rack			C 1 OF 1

5

4

3

2

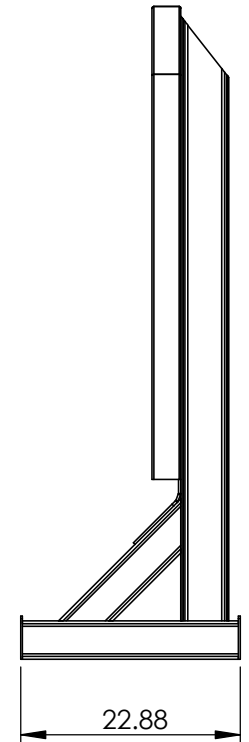
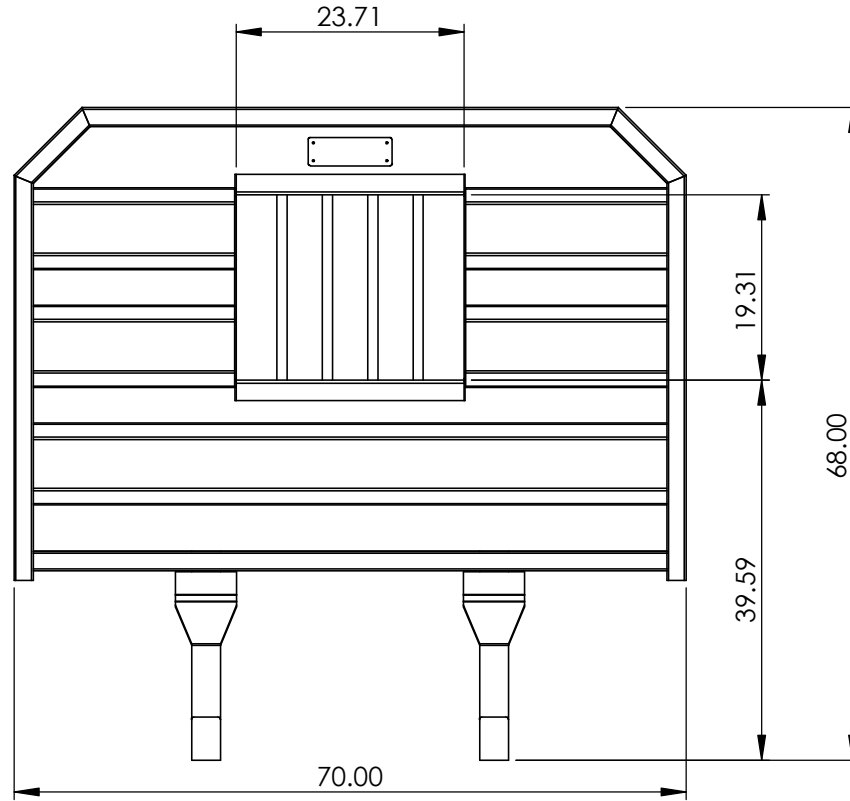
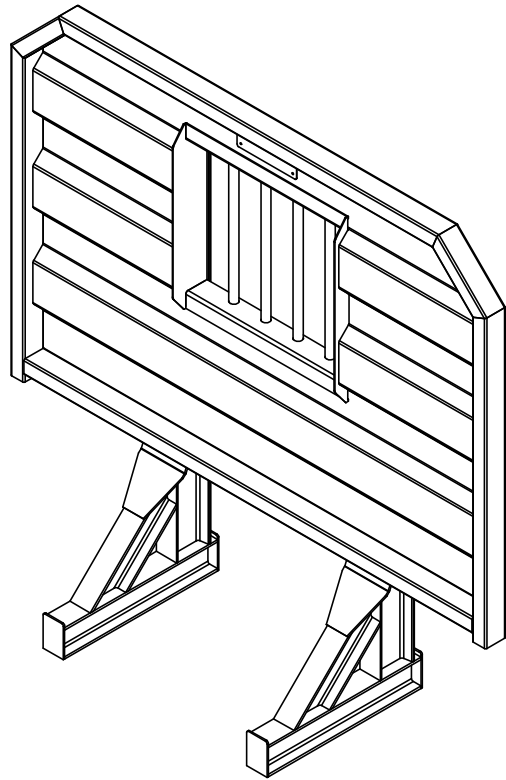
1

D

C

B

A



Part No.:

1364

MATERIAL: 3003 (Alum)

THICKNESS: 0.125

FINISH: Checker

DWG. NO.: 3704-0-00-C

CON FIG.: A

Approx. Weight: 106.62 lbs

ICONIC ELEMENTS

TITLE:

REV: SHEET:

Surf. Area: 216.60 sq. ft.

PROPRIETARY AND CONFIDENTIAL
NO PART OF THIS DOCUMENT MAY BE REPRODUCED, STORED IN A RETRIEVAL SYSTEM, OR TRANSMITTED IN ANY FORM, WITHOUT THE WRITTEN PERMISSION OF Iconic Elements Inc.

70" Standard Headache Rack

C 1 OF 1

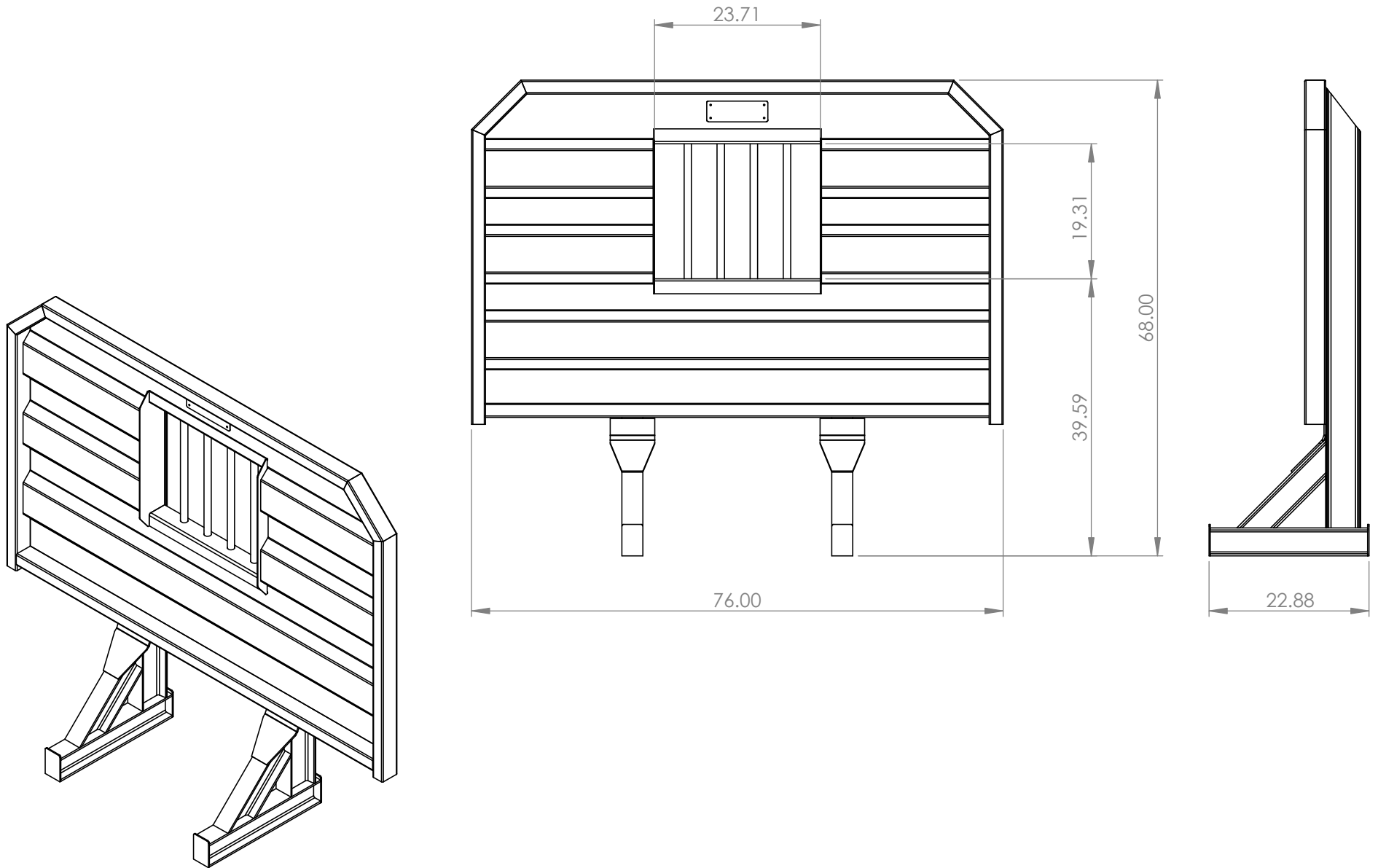
5

4

3

2

1



D
C
B
A

Part No.: 1365	MATERIAL: 3003 (Alum) Approx. Weight: 139.14 lbs Surf. Area: 109.53 sq. ft.	THICKNESS: 0.125 ICONIC ELEMENTS <small>PROPRIETARY AND CONFIDENTIAL NO PART OF THIS DOCUMENT MAY BE REPRODUCED, STORED IN A RETRIEVAL SYSTEM, OR TRANSMITTED IN ANY FORM, WITHOUT THE WRITTEN PERMISSION OF Iconic Elements Inc.</small>	FINISH: Checker TITLE: 76" Standard Headache Rack	DWG. NO.: 3705-0-00-C	REV: C	SHEET: 1 OF 1
--------------------------	---	---	--	-----------------------	---------------	----------------------

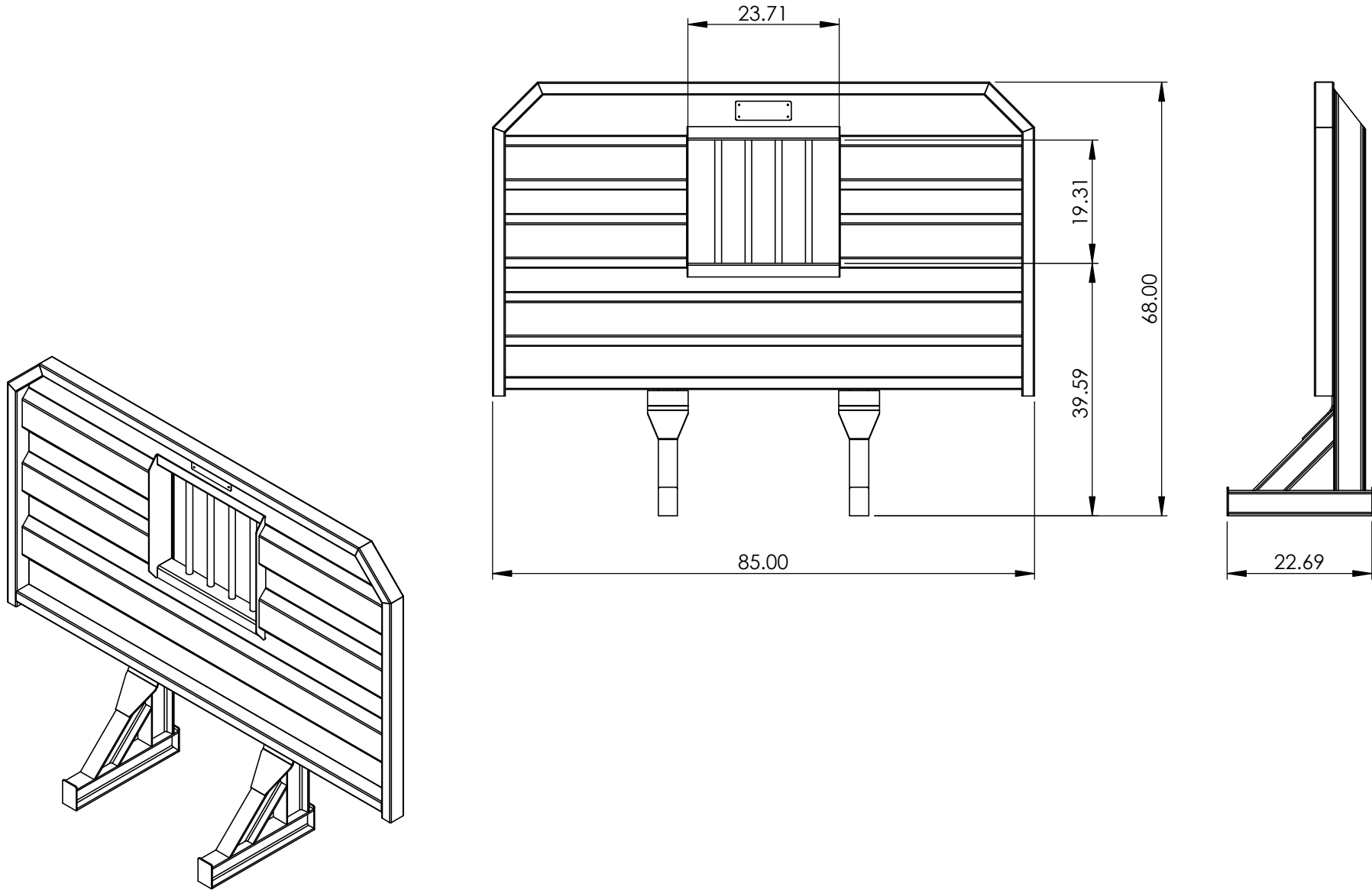
5

4

3

2

1



Part No.:

1366

MATERIAL: 3003 (Alum)

Approx. Weight: 148.31 lbs

Surf. Area: 213.54 sq. ft.

THICKNESS: 0.125

ICONIC ELEMENTS

PROPRIETARY AND CONFIDENTIAL
NO PART OF THIS DOCUMENT MAY BE REPRODUCED, STORED IN A RETRIEVAL SYSTEM, OR TRANSMITTED IN ANY FORM, WITHOUT THE WRITTEN PERMISSION OF Iconic Elements Inc.

FINISH: Checker

TITLE:

86" Standard Headache Rack

DWG. NO.: 3706-0-00-C

REV: SHEET:

C 1 OF 1