

Part No.:

1400

MATERIAL: 5052 (Alum)

Approx. Weight: 7.99 lbs

Surf. Area: 9.72 sq. ft.

THICKNESS: 0.125

ICONIC ELEMENTS

PROPRIETARY AND CONFIDENTIAL
NO PART OF THIS DOCUMENT MAY BE REPRODUCED, STORED IN A RETRIEVAL SYSTEM, OR TRANSMITTED IN ANY FORM, WITHOUT THE WRITTEN PERMISSION OF Iconic Elements Inc.

FINISH: Smooth

TITLE:

Window

DWG. NO.: 3711-0-00-A

REV: SHEET:

A 1 OF 1

5

4

3

2

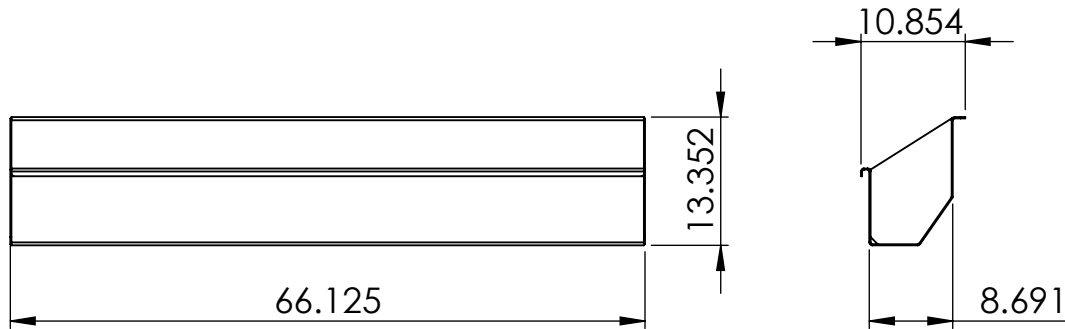
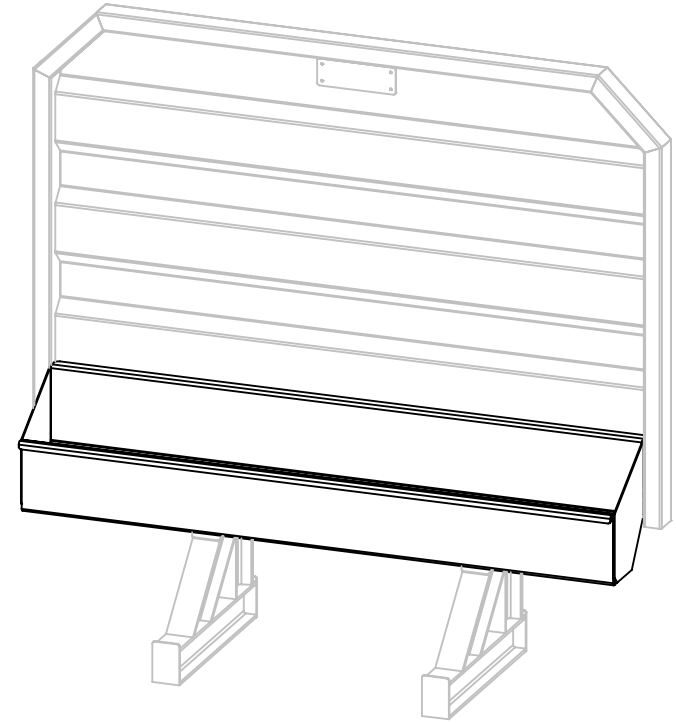
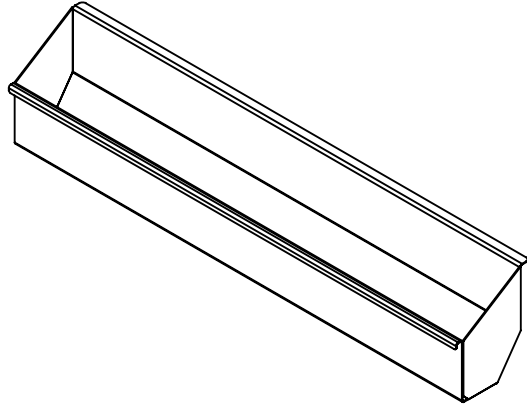
1

D

C

B

A



Part No.:

1401

MATERIAL: 5052 (Alum)

Approx. Weight: 10.97 lbs

Surf. Area: 29.73 sq. ft.

THICKNESS: 0.125

ICONIC ELEMENTS

PROPRIETARY AND CONFIDENTIAL
NO PART OF THIS DOCUMENT MAY BE REPRODUCED, STORED IN A RETRIEVAL SYSTEM, OR TRANSMITTED IN ANY FORM, WITHOUT THE WRITTEN PERMISSION OF Iconic Elements Inc.

FINISH: Smooth

TITLE:

70" Tray

DWG. NO.: 3712-0-00-A

REV: SHEET:

A 1 OF 1

5

4

3

2

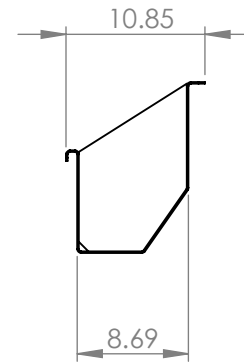
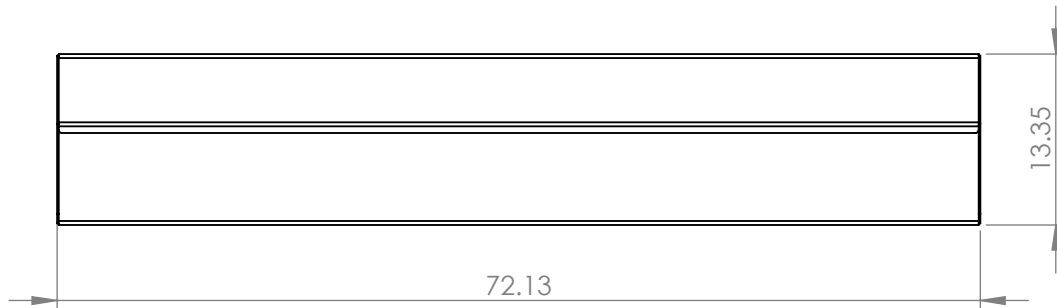
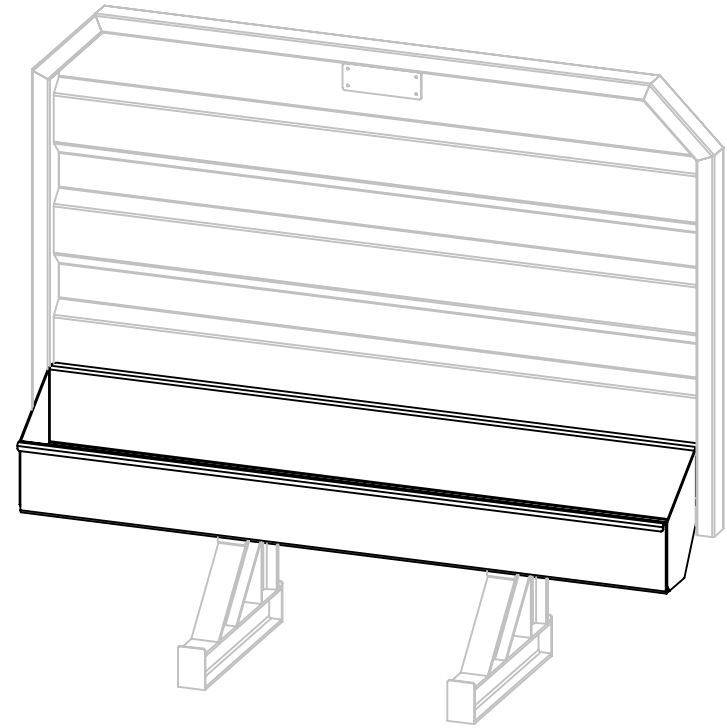
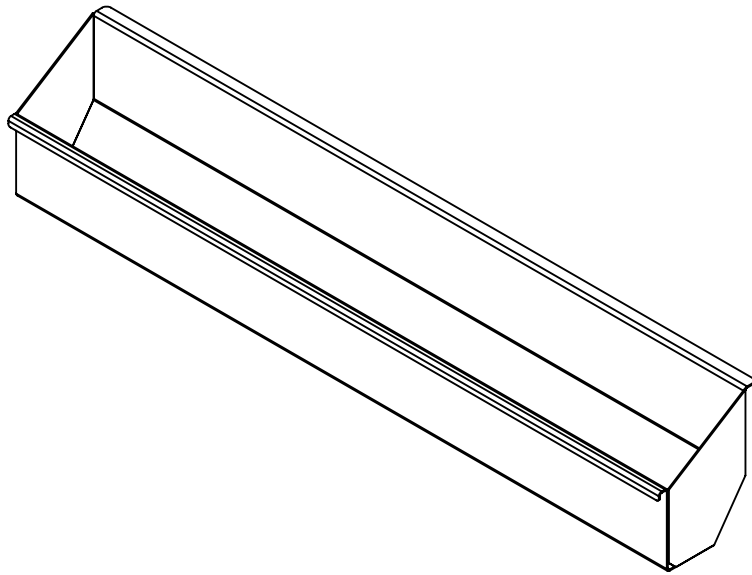
1

D

C

B

A



Part No.:

1402

MATERIAL: 5052 (Alum)

Approx. Weight: 11.20 lbs

Surf. Area: 32.23 sq. ft.

THICKNESS: 0.125

ICONIC ELEMENTS

PROPRIETARY AND CONFIDENTIAL
NO PART OF THIS DOCUMENT MAY BE REPRODUCED, STORED IN A RETRIEVAL SYSTEM, OR TRANSMITTED IN ANY FORM, WITHOUT THE WRITTEN PERMISSION OF Iconic Elements Inc.

FINISH: Smooth

TITLE:

76" Tray

DWG. NO.: 3713-0-00-A

REV: SHEET:

A 1 OF 1

5

4

3

2

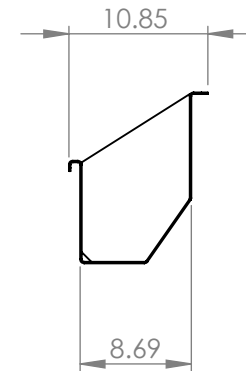
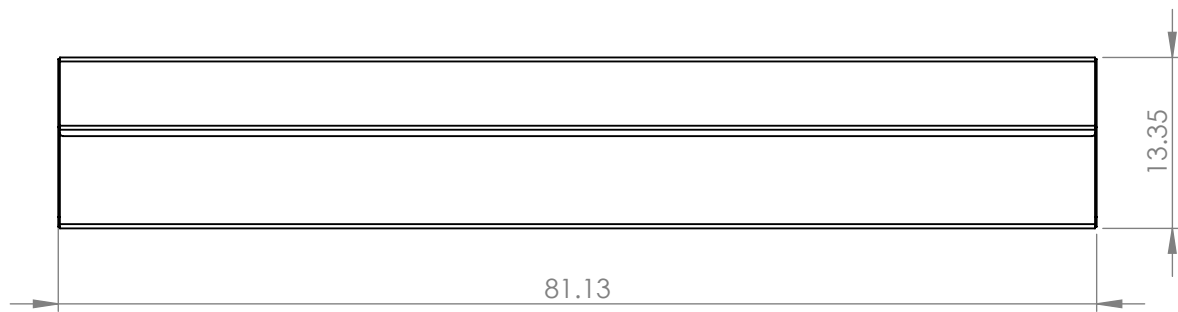
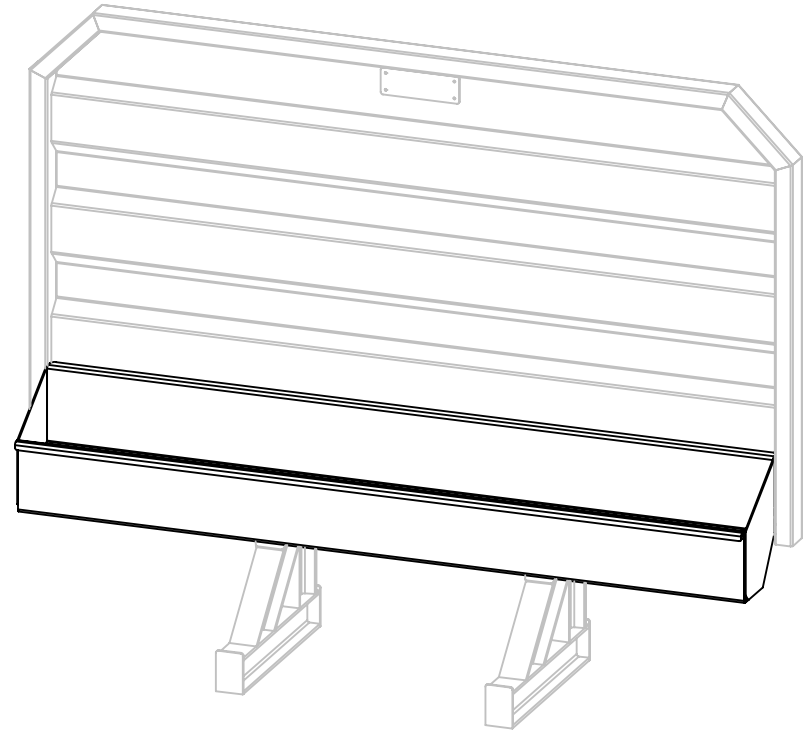
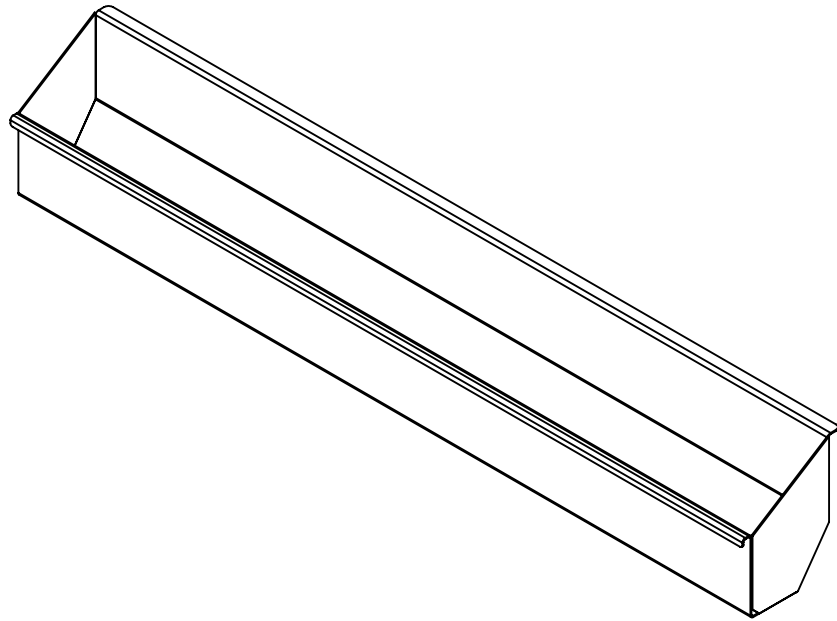
1

D

C

B

A



Part No.:

1403

MATERIAL: 5052 (Alum)

Approx. Weight: 12.43 lbs

Surf. Area: 35.97 sq. ft.

THICKNESS: 0.125

ICONIC ELEMENTS

PROPRIETARY AND CONFIDENTIAL
NO PART OF THIS DOCUMENT MAY BE REPRODUCED, STORED IN A RETRIEVAL SYSTEM, OR TRANSMITTED IN ANY FORM, WITHOUT THE WRITTEN PERMISSION OF Iconic Elements Inc.

FINISH: Smooth

TITLE:

86" Tray

DWG. NO.: 3714-0-00-A

REV: SHEET:

A 1 OF 1

5

4

3

2

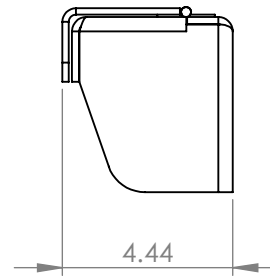
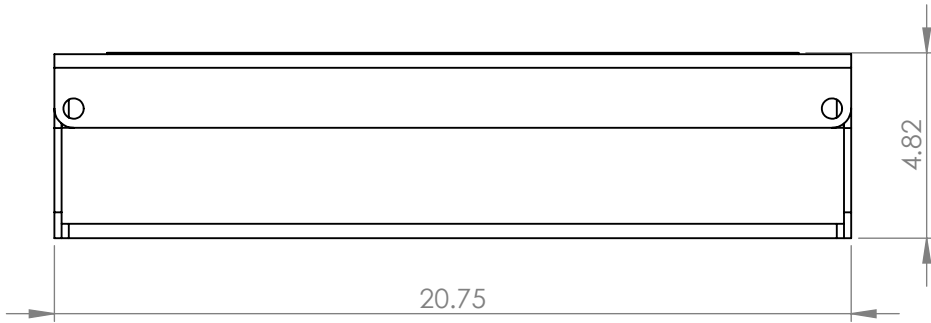
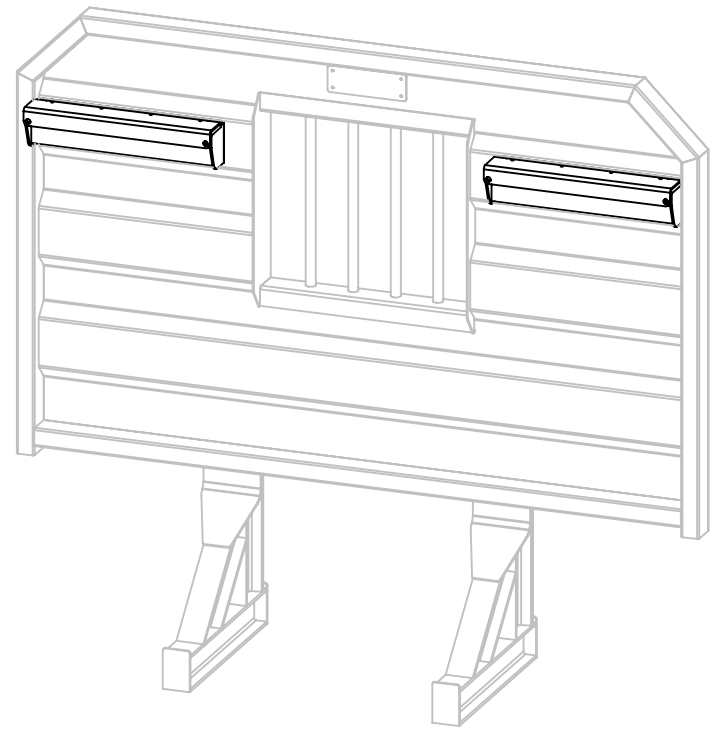
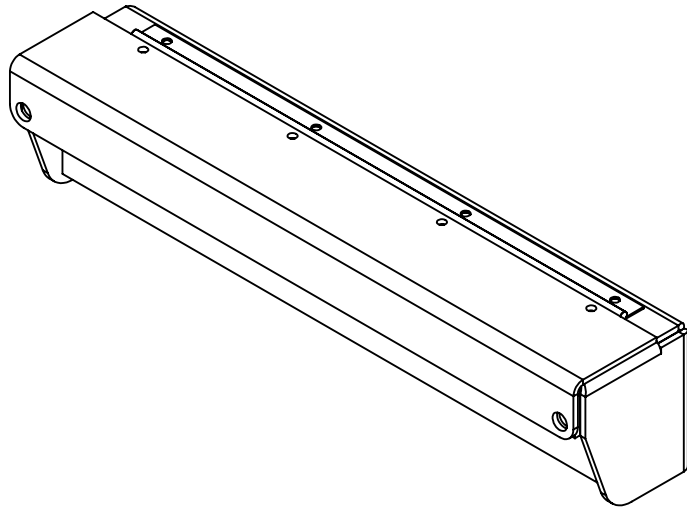
1

D

C

B

A



Part No.:

1404

MATERIAL: 5052 (Alum)

Approx. Weight: 7.59 lbs

Surf. Area: 5.56 sq. ft.

THICKNESS: 0.188

ICONIC ELEMENTS

PROPRIETARY AND CONFIDENTIAL
NO PART OF THIS DOCUMENT MAY BE REPRODUCED, STORED IN A RETRIEVAL SYSTEM, OR TRANSMITTED IN ANY FORM, WITHOUT THE WRITTEN PERMISSION OF Iconic Elements Inc.

FINISH: Smooth

TITLE:

Chain Hanger

DWG. NO.: 3715-0-00-B

REV: SHEET:

B 1 OF 1

5

4

3

2

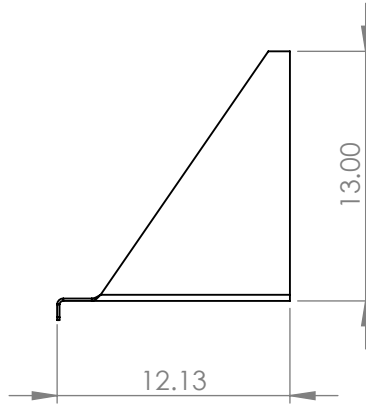
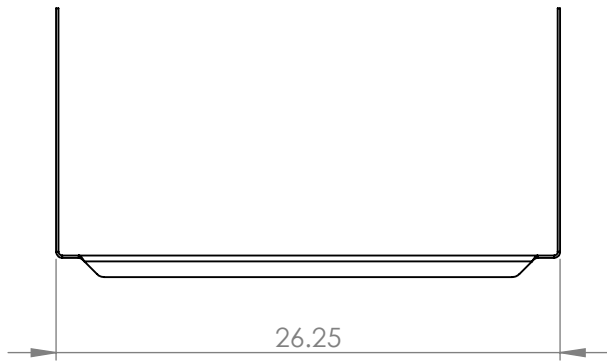
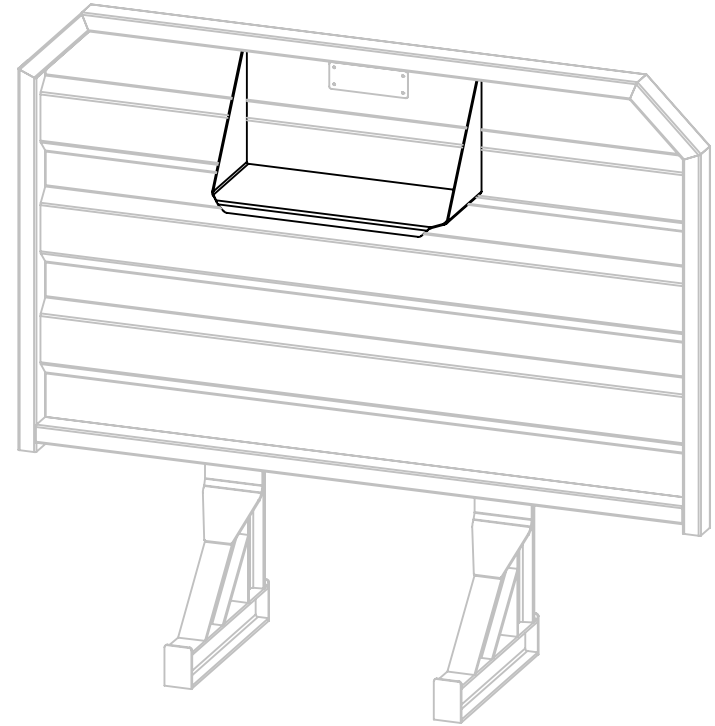
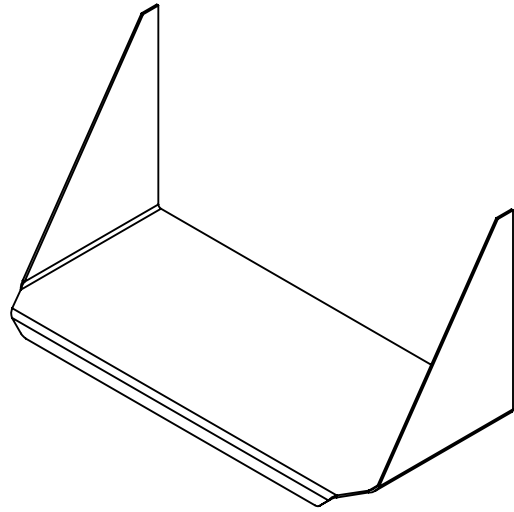
1

D

C

B

A



Part No.:

1405

MATERIAL: 5052 (Alum)

Approx. Weight: 5.77 lbs

Surf. Area: 6.72 sq. ft.

THICKNESS: 0.125

ICONIC ELEMENTS

PROPRIETARY AND CONFIDENTIAL
NO PART OF THIS DOCUMENT MAY BE REPRODUCED, STORED IN A RETRIEVAL SYSTEM, OR TRANSMITTED IN ANY FORM, WITHOUT THE WRITTEN PERMISSION OF Iconic Elements Inc.

FINISH: Smooth

TITLE:

24" Tarp Tray

DWG. NO.: 3728-01-A

REV: SHEET:

A 1 OF 1

5

4

3

2

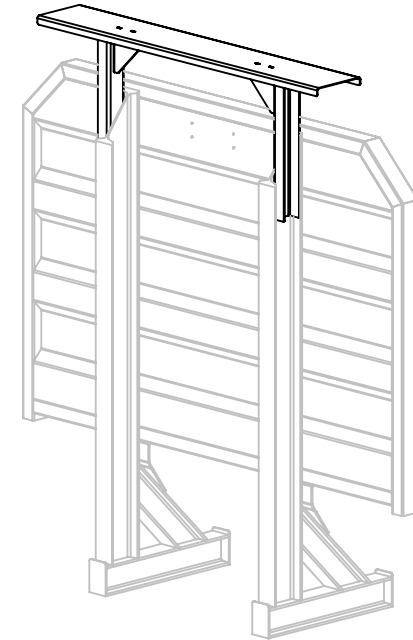
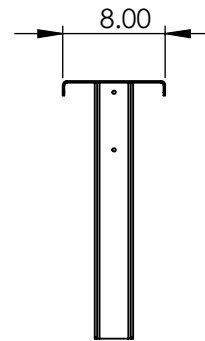
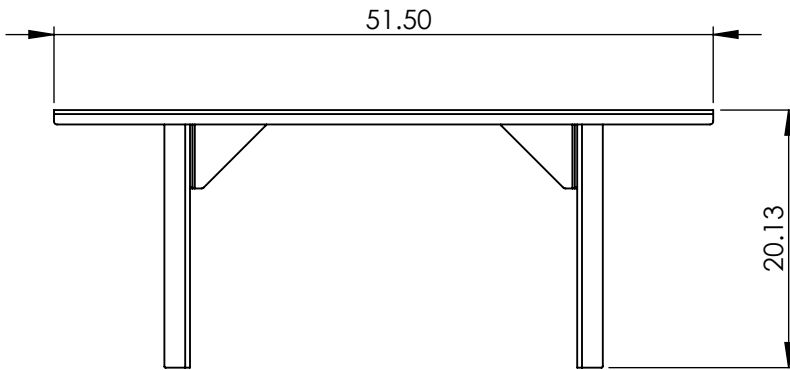
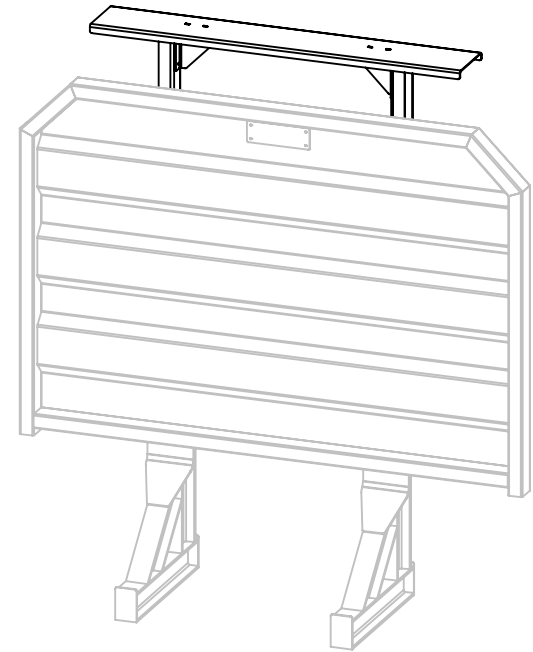
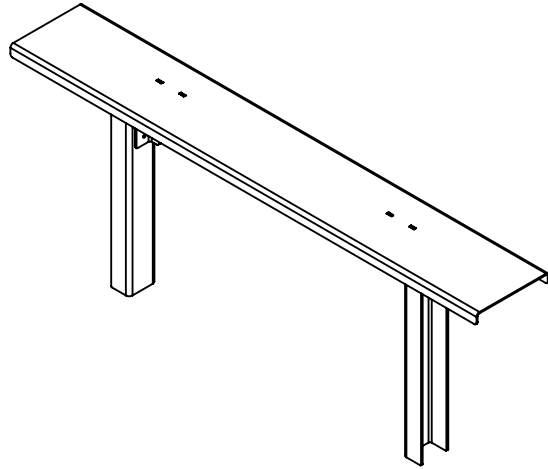
1

D

C

B

A



****SHIPS LOOSE****

****INSTALLER TO DRILL HOLES FOR MOUNTING****

****LIGHTS AND HARDWARE NOT INCLUDED****

| | | | | |
|-------------|----------------------------|--|--------------------|-----------------------|
| Part No.: | MATERIAL: 5052 (Alum) | THICKNESS: 0.125 | FINISH: Smooth | DWG. NO.: 3717-0-00-A |
| 1406 | Approx. Weight: 145.87 lbs | ICONIC ELEMENTS | | REV: SHEET: |
| | Surf. Area: 113.73 sq. ft. | <small>PROPRIETARY AND CONFIDENTIAL NO PART OF THIS DOCUMENT MAY BE REPRODUCED, STORED IN A RETRIEVAL SYSTEM, OR TRANSMITTED IN ANY FORM, WITHOUT THE WRITTEN PERMISSION OF Iconic Elements Inc.</small> | | A 1 OF 1 |
| | | | Light Mount | |

5

4

3

2

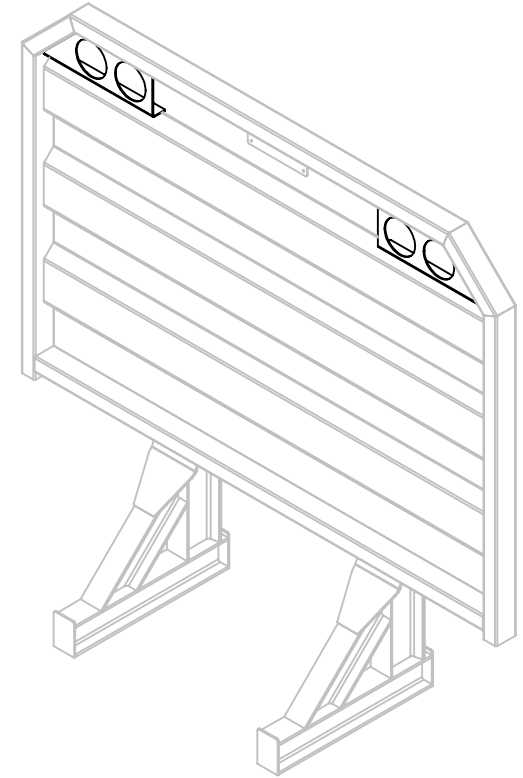
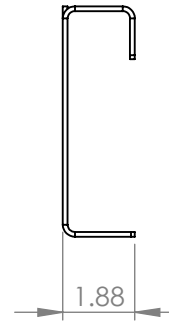
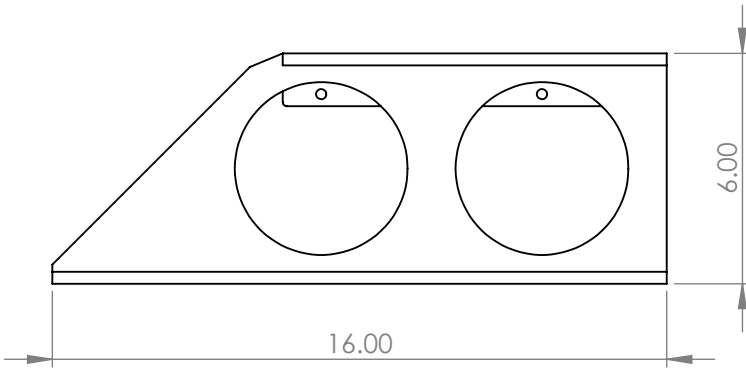
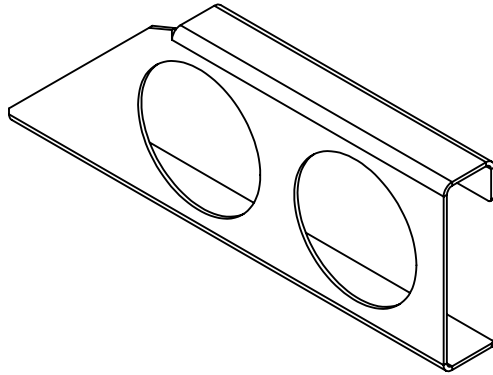
1

D

C

B

A



****COMES AS PAIR****
****SHIPS LOOSE****
****INSTALLER TO DRILL HOLES FOR MOUNTING****
****LIGHTS AND HARDWARE NOT INCLUDED****

| | | | | |
|--------------------------|--------------------------|--|------------------|-----------------------|
| Part No.: 1407 | MATERIAL: 5052 (Alum) | THICKNESS: 0.125 | FINISH: Smooth | DWG. NO.: 3718-0-01-A |
| | Approx. Weight: 1.25 lbs | ICONIC ELEMENTS <small>PROPRIETARY AND CONFIDENTIAL</small> <small>NO PART OF THIS DOCUMENT MAY BE REPRODUCED, STORED IN A RETRIEVAL SYSTEM, OR TRANSMITTED IN ANY FORM, WITHOUT THE WRITTEN PERMISSION OF Iconic Elements Inc.</small> | | REV: SHEET: |
| | Surf. Area: 1.50 sq. ft. | | TITLE: Light Box | A 1 OF 1 |

5

4

3

2

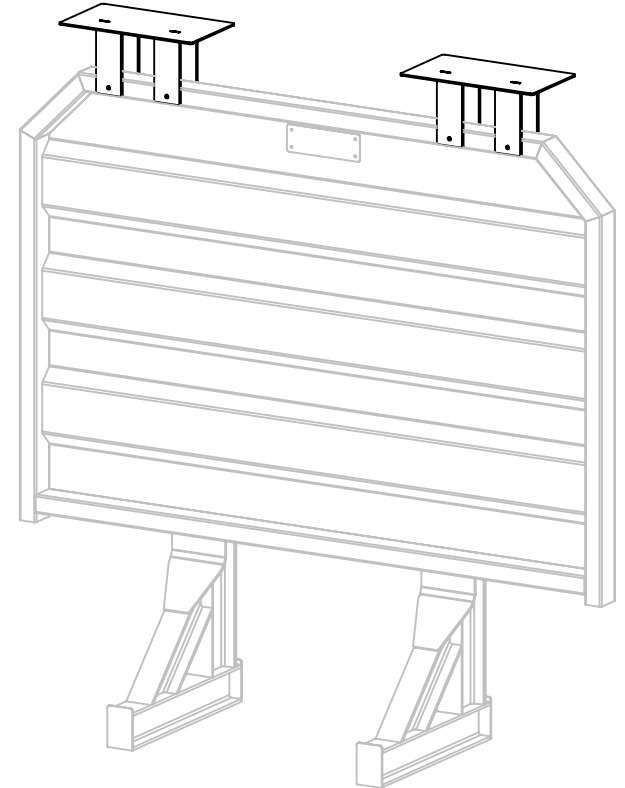
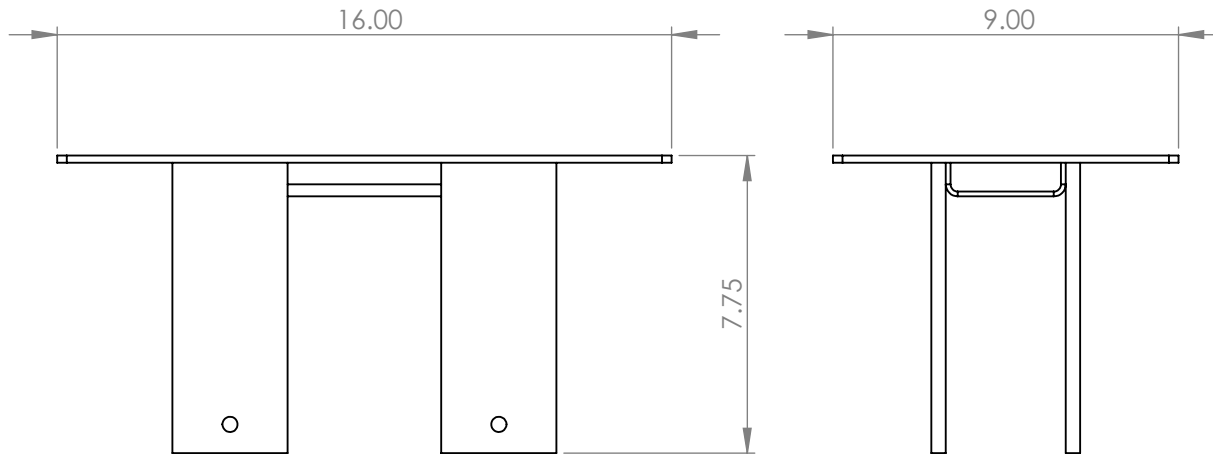
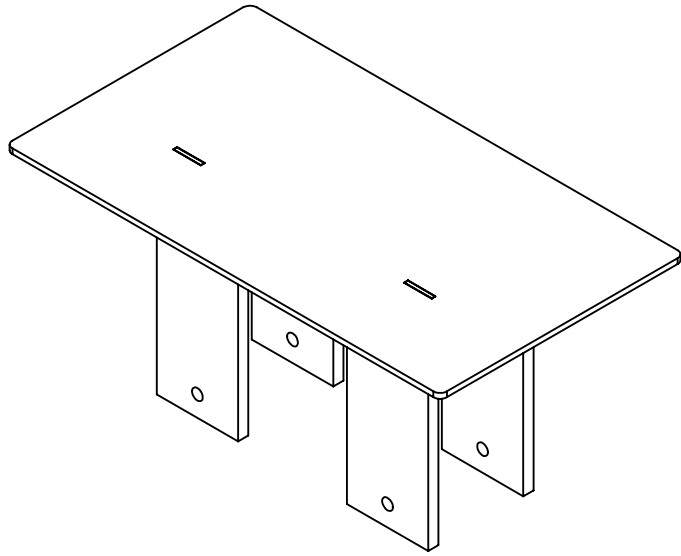
1

D

C

B

A



****SHIPS LOOSE***
****INSTALLER TO DRILL HOLES FOR MOUNTING****
****LIGHTS AND HARDWARE NOT INCLUDED****

| | | | | |
|-----------|----------------------------|--|-----------------|-----------------------------|
| Part No.: | MATERIAL: 5052 (Alum) | THICKNESS: 0.188 | FINISH: Smooth | DWG. NO.: 3719-0-00-B |
| | 1408 | Approx. Weight: 6.42 lbs | ICONIC ELEMENTS | TITLE: Beacon Light Bar |
| | Surf. Area: 110.24 sq. ft. | <small>PROPRIETARY AND CONFIDENTIAL</small> <small>NO PART OF THIS DOCUMENT MAY BE REPRODUCED, STORED IN A RETRIEVAL SYSTEM, OR TRANSMITTED IN ANY FORM, WITHOUT THE WRITTEN PERMISSION OF Iconic Elements Inc.</small> | | REV: B SHEET: 1 OF 1 |

5

4

3

2

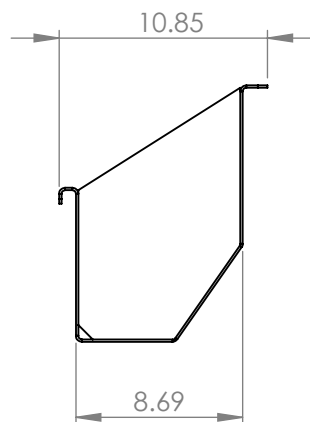
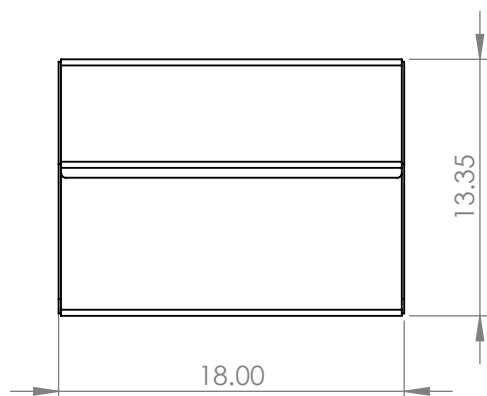
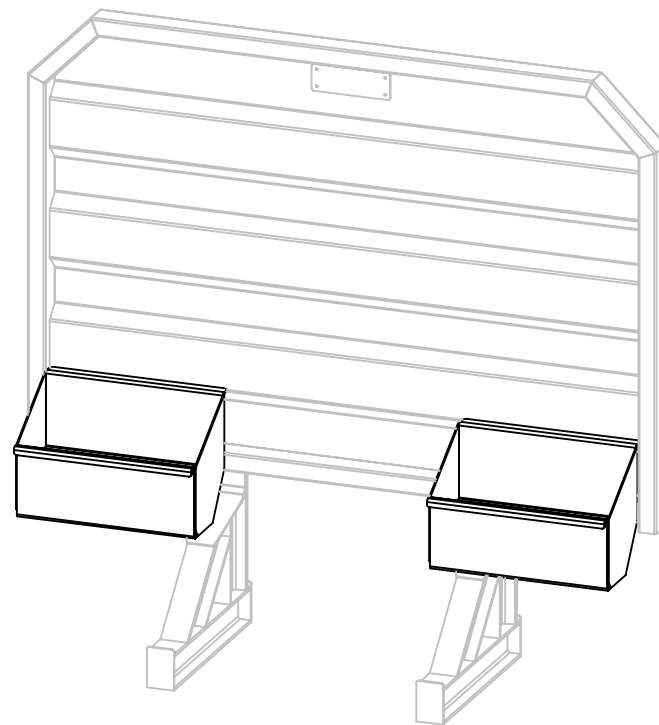
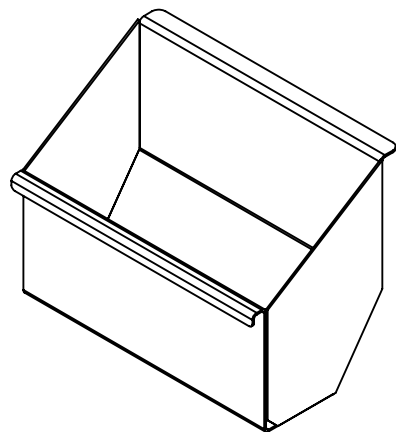
1

D

C

B

A



****COMES AS PAIR****

| | | | | |
|-------------|-----------------------------|--|-----------------|------------------------|
| Part No.: | MATERIAL: 5052 (Alum) | THICKNESS: 0.125 | FINISH: Smooth | DWG. NO.: 3720-0-00-A |
| 1409 | Approx. Weight: 3.76 lbs | ICONIC ELEMENTS | | REV: SHEET: |
| | Surf. Area: 1397.32 sq. ft. | <small>PROPRIETARY AND CONFIDENTIAL NO PART OF THIS DOCUMENT MAY BE REPRODUCED, STORED IN A RETRIEVAL SYSTEM, OR TRANSMITTED IN ANY FORM, WITHOUT THE WRITTEN PERMISSION OF Iconic Elements Inc.</small> | | A 1 OF 1 |
| | | | 18" Tray | |

5

4

3

2

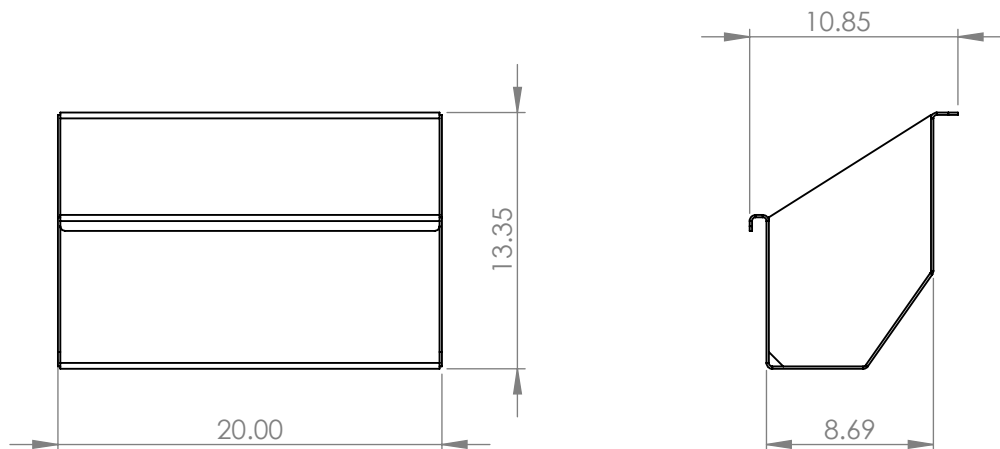
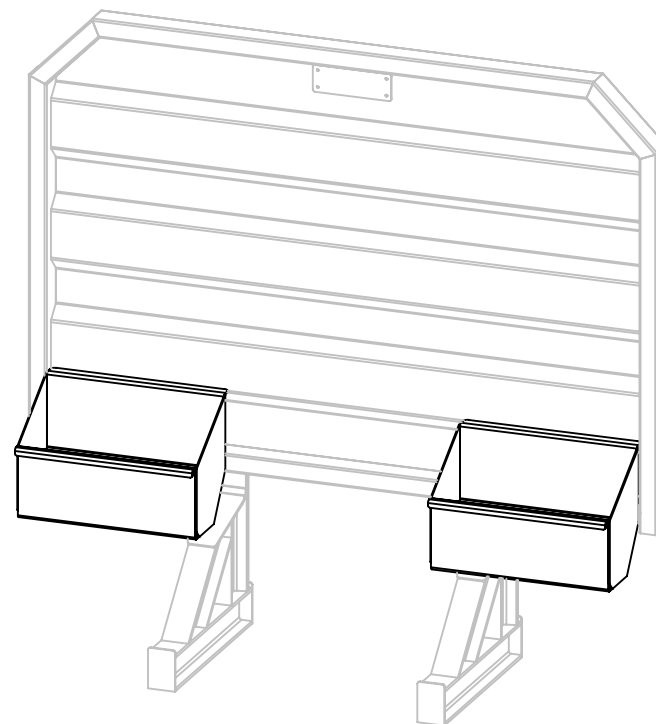
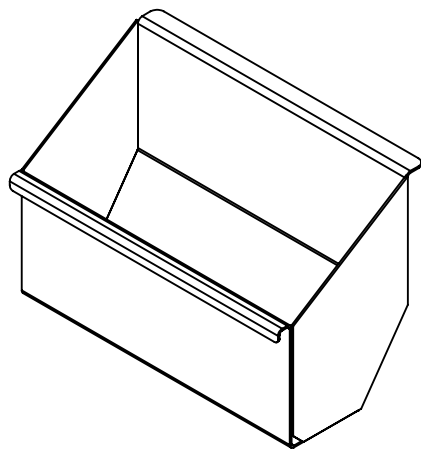
1

D

C

B

A



****COMES AS PAIR****

| | | | | |
|-------------|---------------------------|--|-----------------------|-----------------------|
| Part No.: | MATERIAL: 5052 (Alum) | THICKNESS: 0.125 | FINISH: Smooth | DWG. NO.: 3721-0-00-A |
| 1410 | Approx. Weight: 4.03 lbs | ICONIC ELEMENTS | | REV: SHEET: |
| | Surf. Area: 10.54 sq. ft. | <small>PROPRIETARY AND CONFIDENTIAL NO PART OF THIS DOCUMENT MAY BE REPRODUCED, STORED IN A RETRIEVAL SYSTEM, OR TRANSMITTED IN ANY FORM, WITHOUT THE WRITTEN PERMISSION OF Iconic Elements Inc.</small> | | A 1 OF 1 |
| | | | TITLE: 20" Chain Tray | |

5

4

3

2

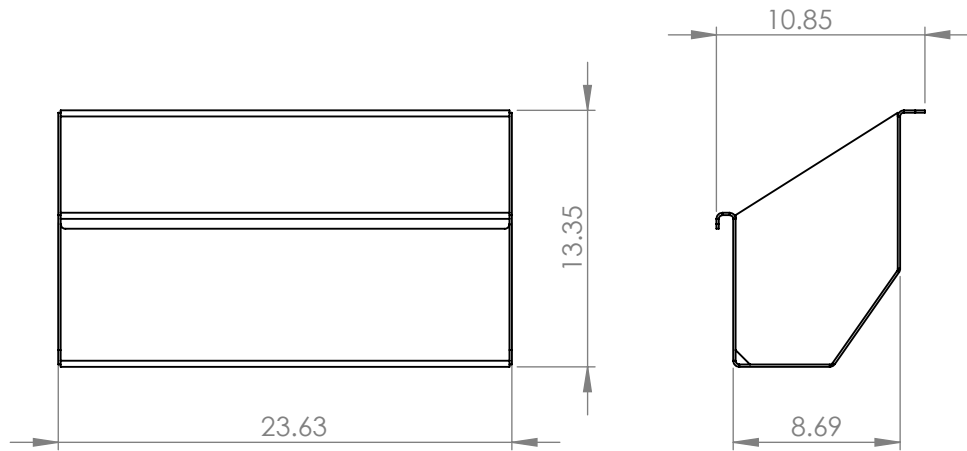
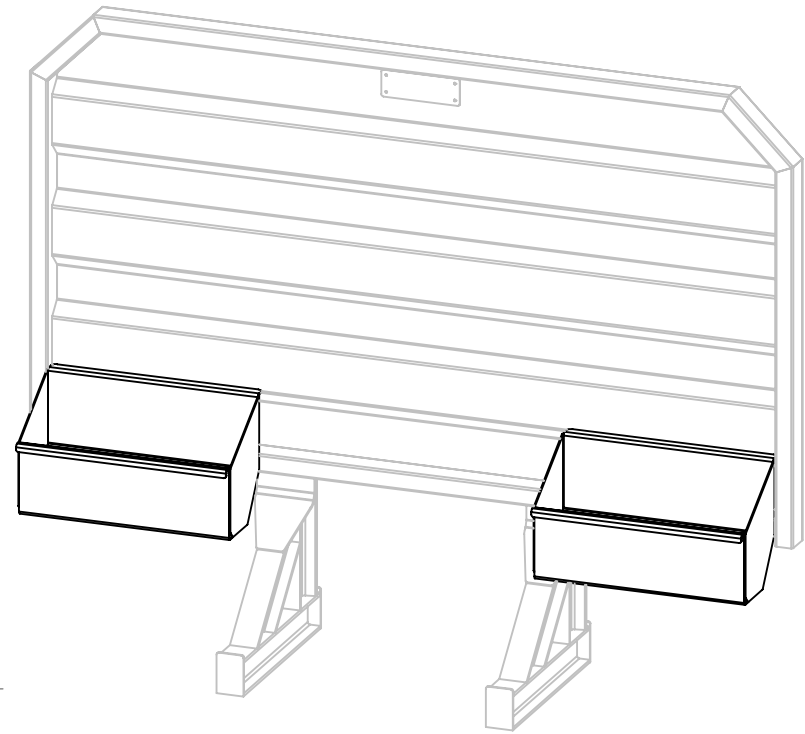
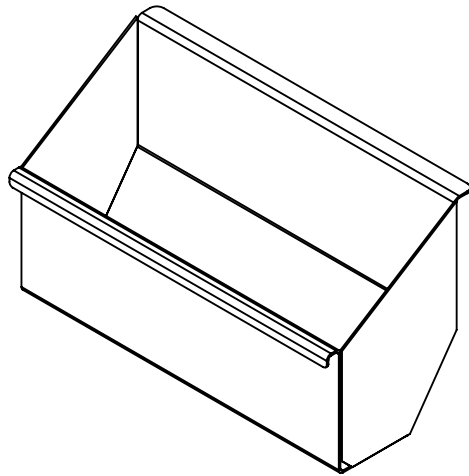
1

D

C

B

A



****COMES AS PAIR****

| | | | | |
|-------------|---------------------------|--|-----------------|-----------------------|
| Part No.: | MATERIAL: 5052 (Alum) | THICKNESS: 0.125 | FINISH: Smooth | DWG. NO.: 3722-0-00-B |
| 1411 | Approx. Weight: 4.53 lbs | ICONIC ELEMENTS | | REV: SHEET: |
| | Surf. Area: 12.04 sq. ft. | <small>PROPRIETARY AND CONFIDENTIAL NO PART OF THIS DOCUMENT MAY BE REPRODUCED, STORED IN A RETRIEVAL SYSTEM, OR TRANSMITTED IN ANY FORM, WITHOUT THE WRITTEN PERMISSION OF Iconic Elements Inc.</small> | | B 1 OF 1 |
| | | | TITLE: 24" Tray | |

5

4

3

2

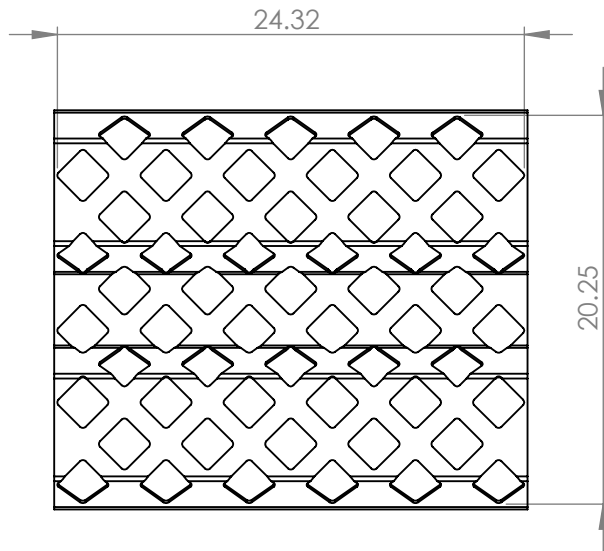
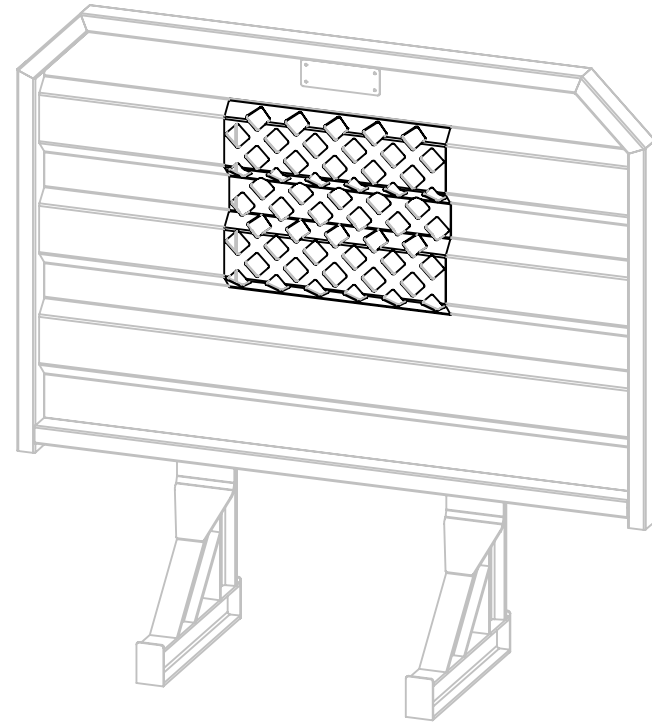
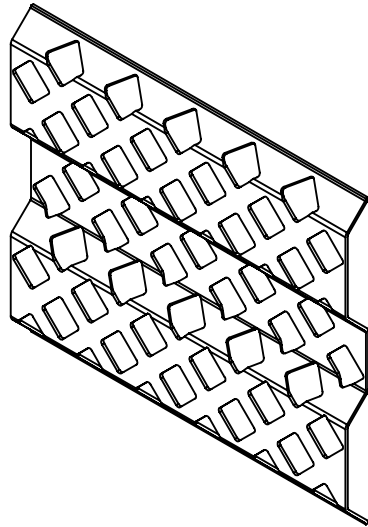
1

D

C

B

A



D

C

B

A

Part No.:

MATERIAL: 3003 (Alum)

THICKNESS: 0.125

FINISH: Checker

DWG. NO.: 3707-0-00-C-VC

Approx. Weight: 136.53 lbs

ICONIC ELEMENTS

TITLE:

REV: SHEET:

Surf. Area: 104.89 sq. ft.

PROPRIETARY AND CONFIDENTIAL
NO PART OF THIS DOCUMENT MAY BE REPRODUCED, STORED IN A RETRIEVAL SYSTEM, OR TRANSMITTED IN ANY FORM, WITHOUT THE WRITTEN PERMISSION OF Iconic Elements Inc.

70" Standard Headache Rack

C 1 OF 1

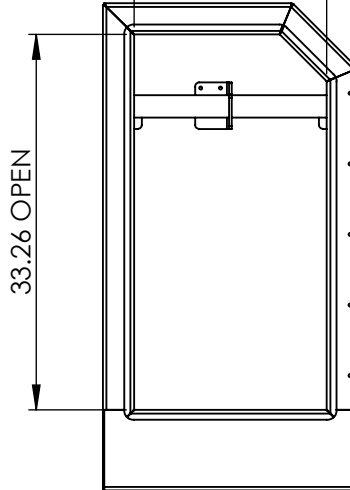
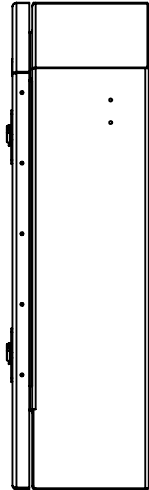
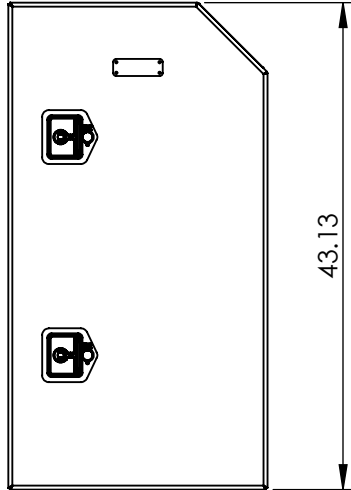
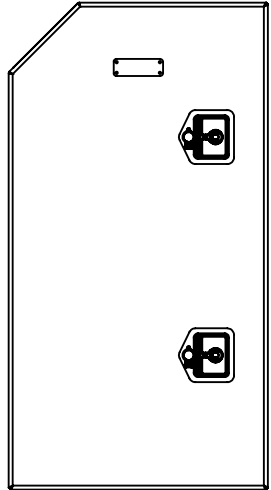
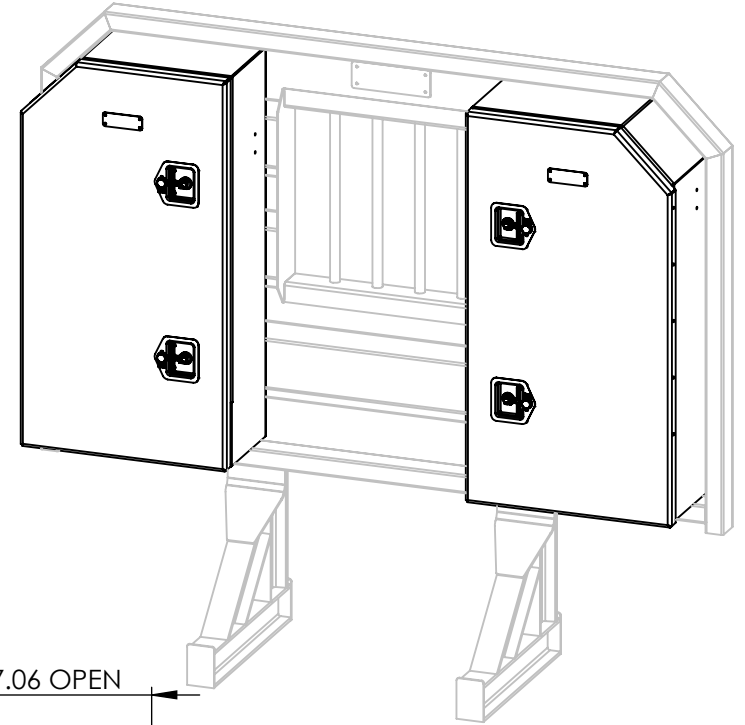
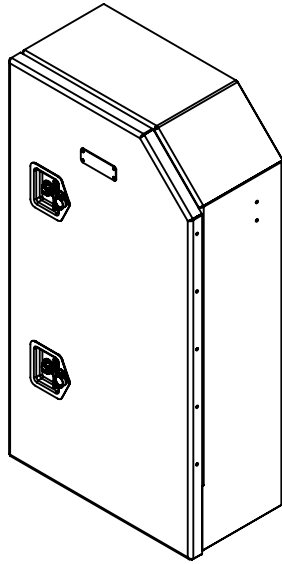
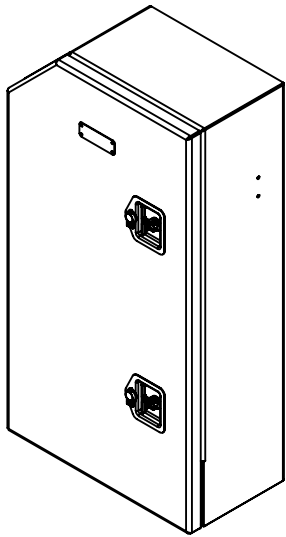
5

4

3

2

1



D
C
B
A

Part No.:

1414

MATERIAL: 5052 (Alum)

THICKNESS: 0.125

FINISH: Smooth

DWG. NO.: 3724-2A-00-E

Approx. Weight: 60.34 lbs

ICONIC ELEMENTS

TITLE:

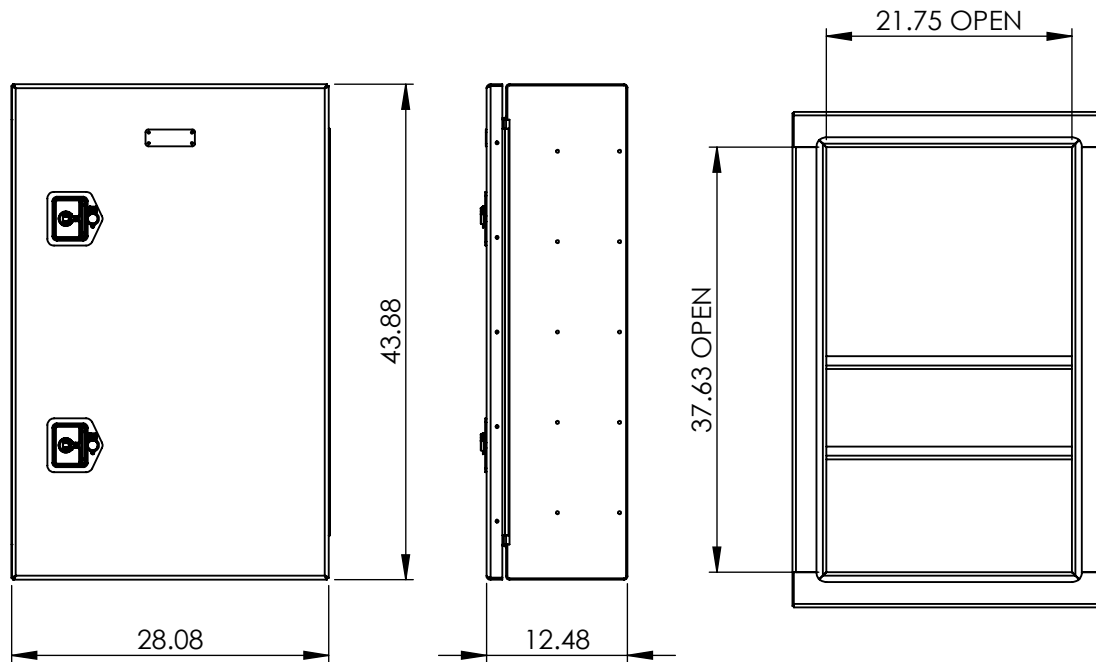
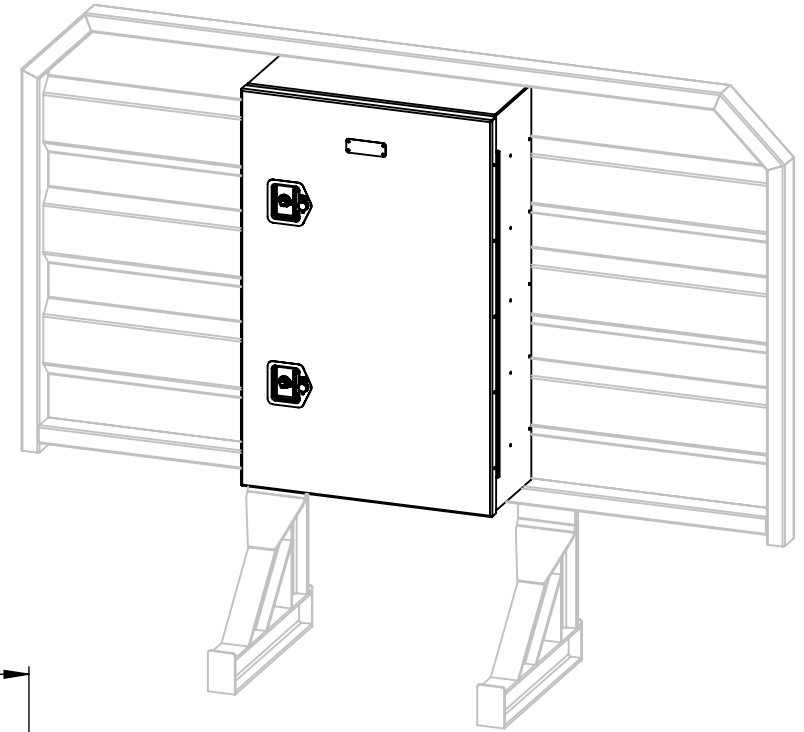
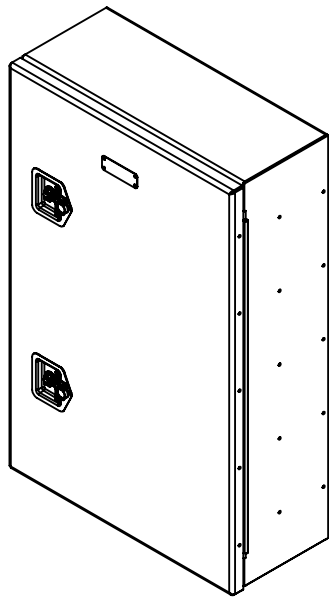
REV: SHEET:

Surf. Area: 58.99 sq. ft.

PROPRIETARY AND CONFIDENTIAL
NO PART OF THIS DOCUMENT MAY BE REPRODUCED, STORED IN A RETRIEVAL SYSTEM, OR TRANSMITTED IN ANY FORM, WITHOUT THE WRITTEN PERMISSION OF Iconic Elements Inc.

Side Cabinet (76") Checker Doors E

1 OF 1



Part No.:

1415

MATERIAL: 5052 (Alum)

Approx. Weight: 67.56 lbs

Surf. Area: 83.74 sq. ft.

THICKNESS: 0.125

ICONIC ELEMENTS

PROPRIETARY AND CONFIDENTIAL
NO PART OF THIS DOCUMENT MAY BE REPRODUCED, STORED IN A RETRIEVAL SYSTEM, OR TRANSMITTED IN ANY FORM, WITHOUT THE WRITTEN PERMISSION OF Iconic Elements Inc.

FINISH: Smooth

TITLE:

Centre Box (76" & 86")

DWG. NO.: 3725-1-00-A

REV: SHEET:

A 1 OF 1

5

4

3

2

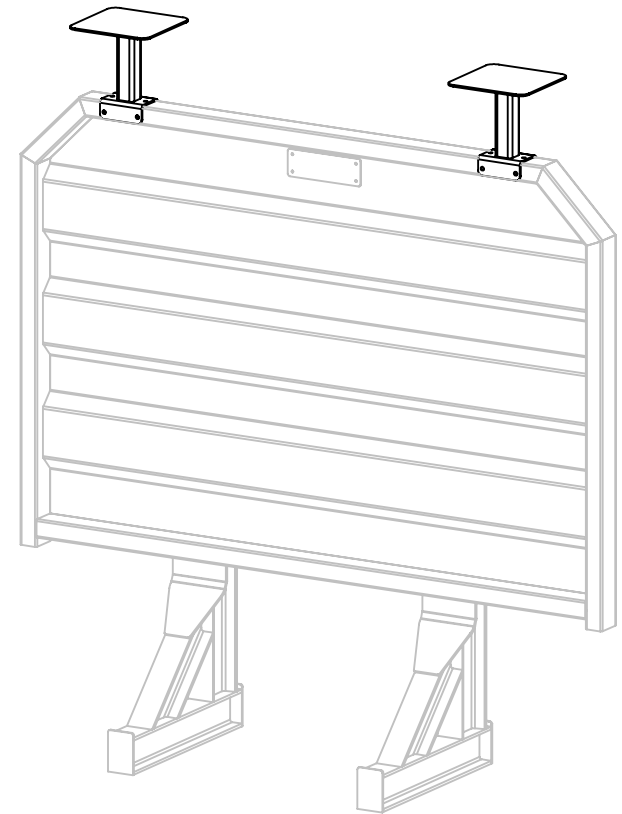
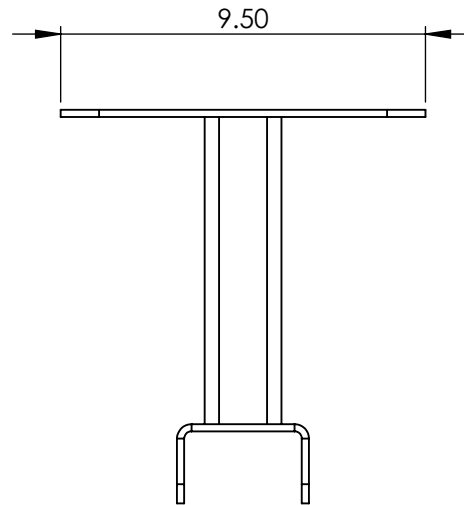
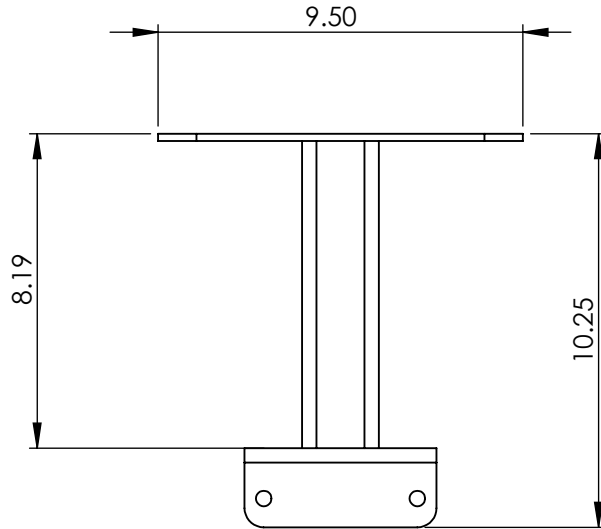
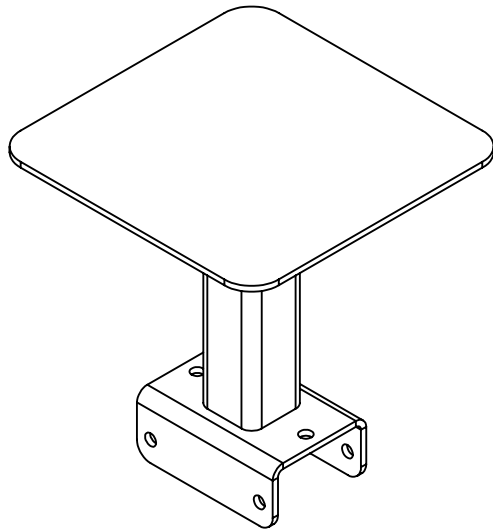
1

D

C

B

A



****SHIPS LOOSE***
****INSTALLER TO DRILL HOLES FOR MOUNTING****
****LIGHTS AND HARDWARE NOT INCLUDED****

| | | | | |
|-------------|----------------------------|---|----------------|-----------------------|
| Part No.: | MATERIAL: 5052 (Alum) | THICKNESS: 0.188 | FINISH: Smooth | DWG. NO.: 3726-0-00-B |
| 1417 | Approx. Weight: 137.35 lbs | ICONIC ELEMENTS | | REV: SHEET: |
| | Surf. Area: 107.08 sq. ft. | <small>PROPRIETARY AND CONFIDENTIAL NO PART OF THIS DOCUMENT MAY BE REPRODUCED, STORED IN A RETRIEVAL SYSTEM, OR TRANSMITTED IN ANY FORM, WITHOUT THE WRITTEN PERMISSION OF Iconic Elements Inc.</small> | | B 1 OF 1 |
| | | TITLE: Beacon Light Bracket | | |

5

4

3

2

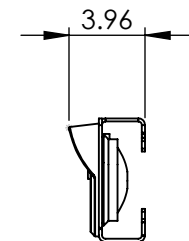
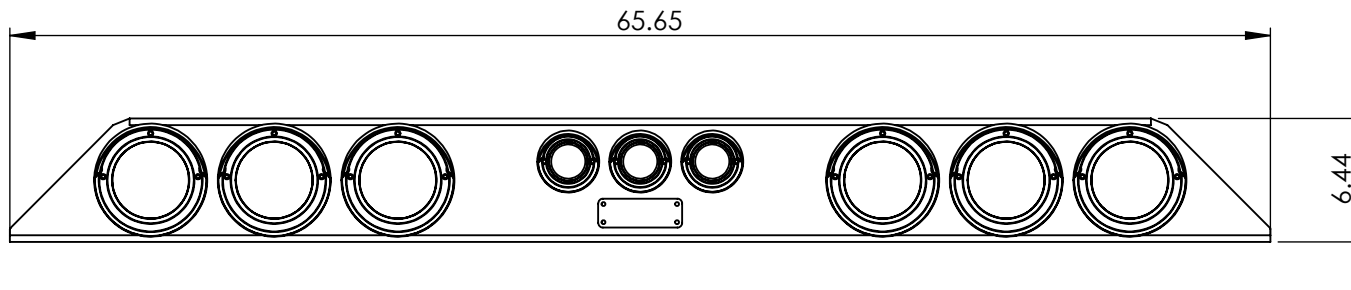
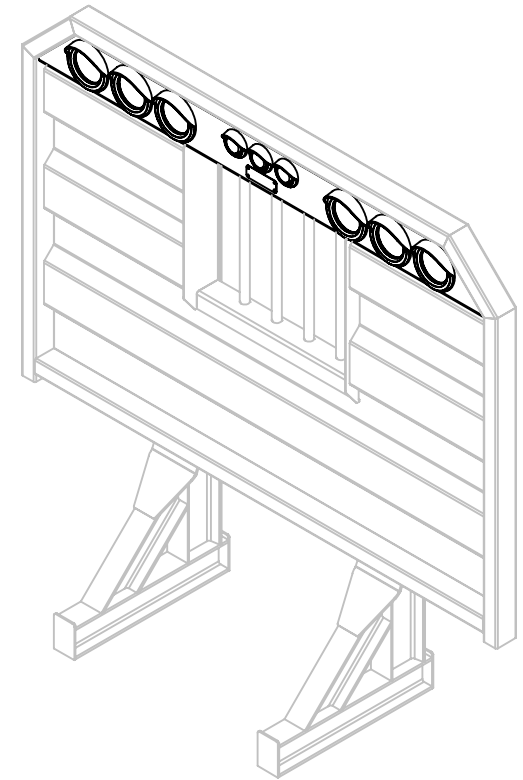
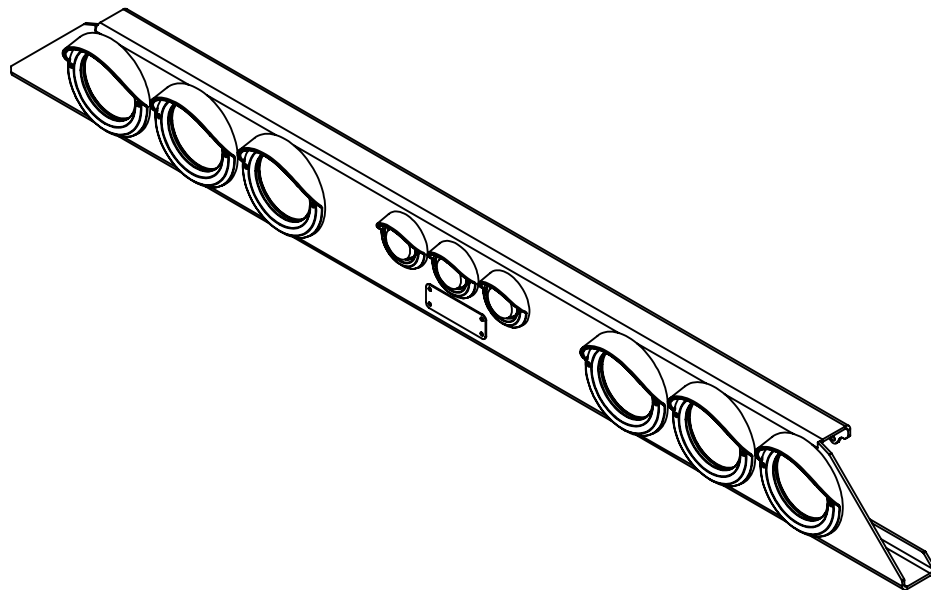
1

D

C

B

A



Part No.:

1425

MATERIAL: 3003 (Alum)

Approx. Weight: 119.04 lbs

Surf. Area: 122.29 sq. ft.

THICKNESS: 0.125

ICONIC ELEMENTS

PROPRIETARY AND CONFIDENTIAL
NO PART OF THIS DOCUMENT MAY BE REPRODUCED, STORED IN A RETRIEVAL SYSTEM, OR TRANSMITTED IN ANY FORM, WITHOUT THE WRITTEN PERMISSION OF Iconic Elements Inc.

FINISH: Checker

TITLE:

70" Light Bar

DWG. NO.: 3730-0-00-C

REV: SHEET:

C 1 OF 1

5

4

3

2

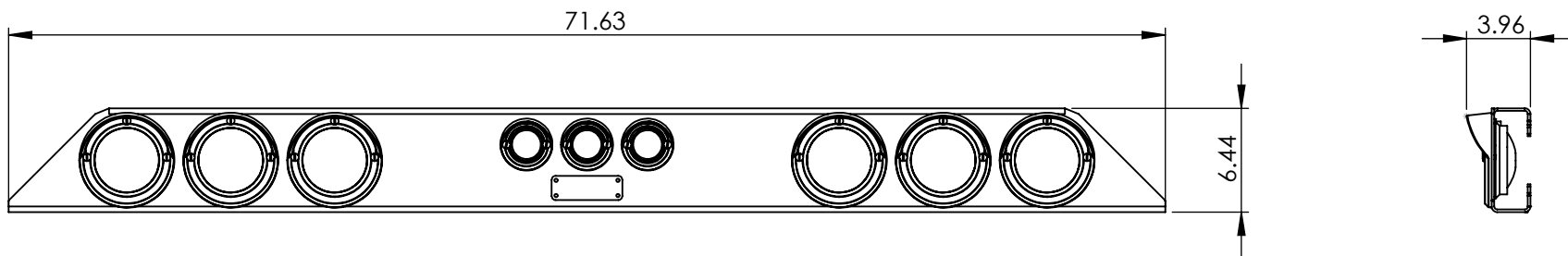
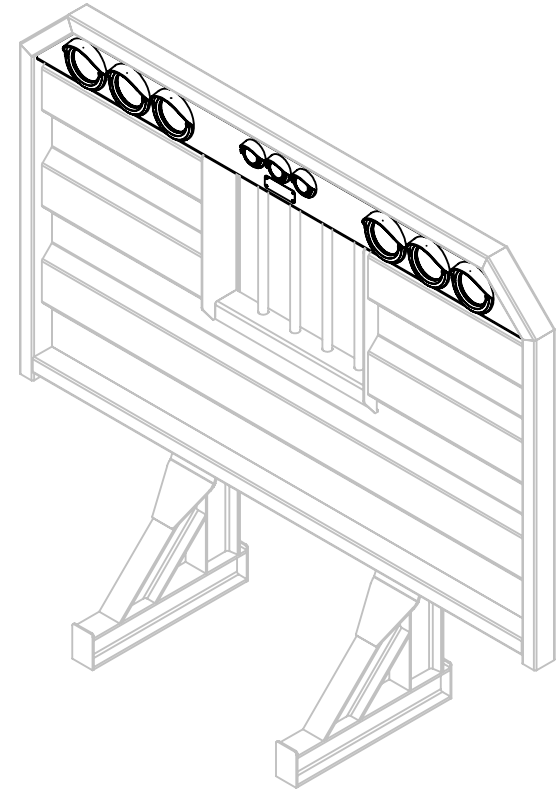
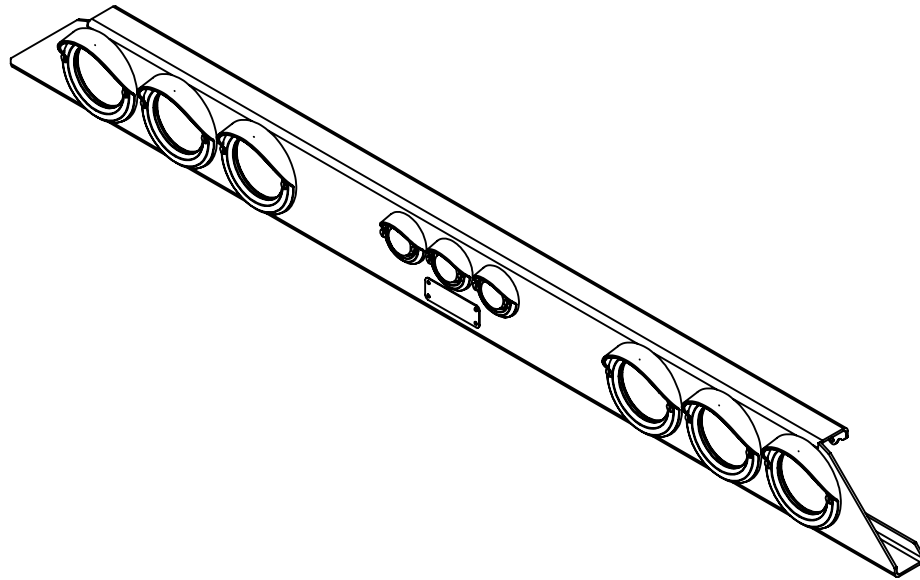
1

D

C

B

A



Part No.:

1426

MATERIAL: 3003 (Alum)

Approx. Weight: 152.81 lbs

Surf. Area: 129.04 sq. ft.

THICKNESS: 0.125

ICONIC ELEMENTS

PROPRIETARY AND CONFIDENTIAL
NO PART OF THIS DOCUMENT MAY BE REPRODUCED, STORED IN A RETRIEVAL SYSTEM, OR TRANSMITTED IN ANY FORM, WITHOUT THE WRITTEN PERMISSION OF Iconic Elements Inc.

FINISH: Checker

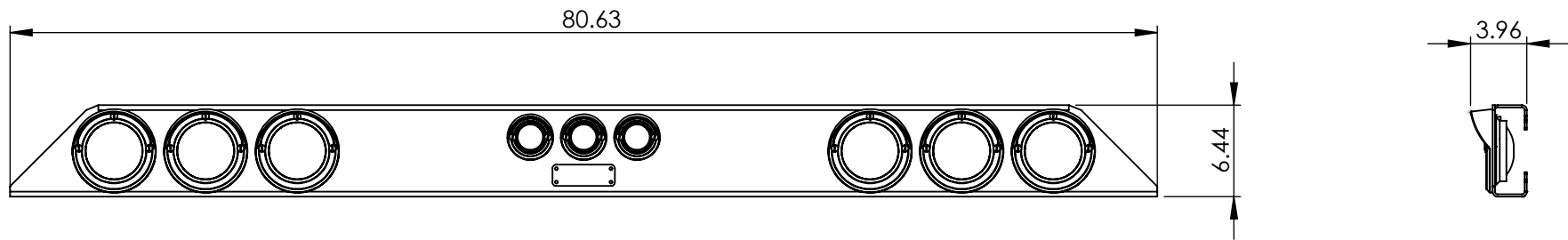
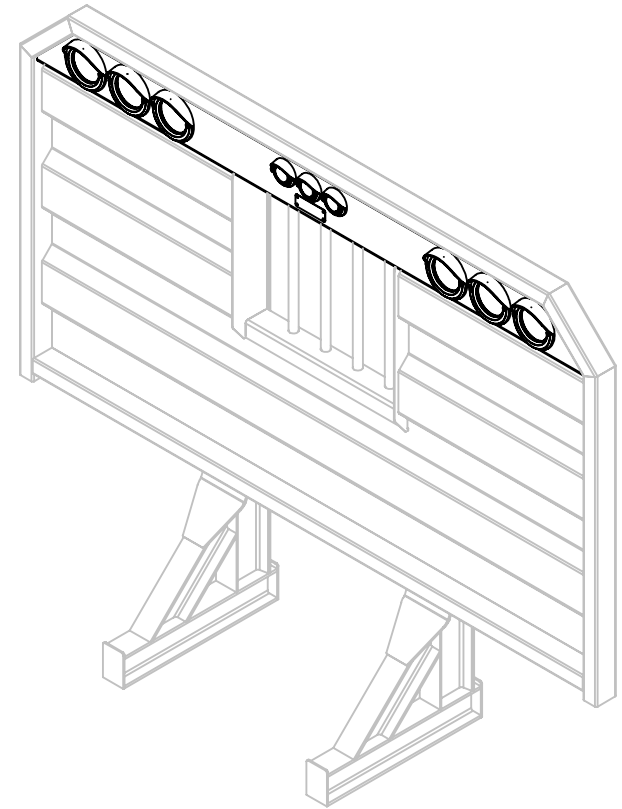
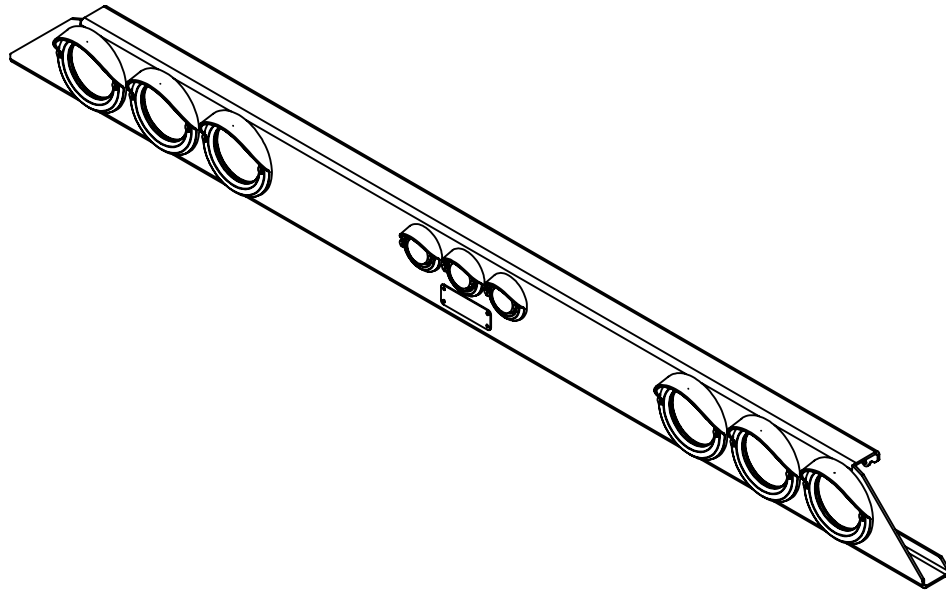
TITLE:

76" Light Bar

DWG. NO.: 3731-0-00-C

REV: SHEET:

C 1 OF 1



Part No.:

1428

MATERIAL: 3003 (Alum)

Approx. Weight: 163.75 lbs

Surf. Area: 138.89 sq. ft.

THICKNESS: 0.125

ICONIC ELEMENTS

PROPRIETARY AND CONFIDENTIAL
NO PART OF THIS DOCUMENT MAY BE REPRODUCED, STORED IN A RETRIEVAL SYSTEM, OR TRANSMITTED IN ANY FORM, WITHOUT THE WRITTEN PERMISSION OF Iconic Elements Inc.

FINISH: Checker

TITLE:

86" Light Bar

DWG. NO.: 3732-0-00-C

REV: SHEET:

C 1 OF 1

5

4

3

2

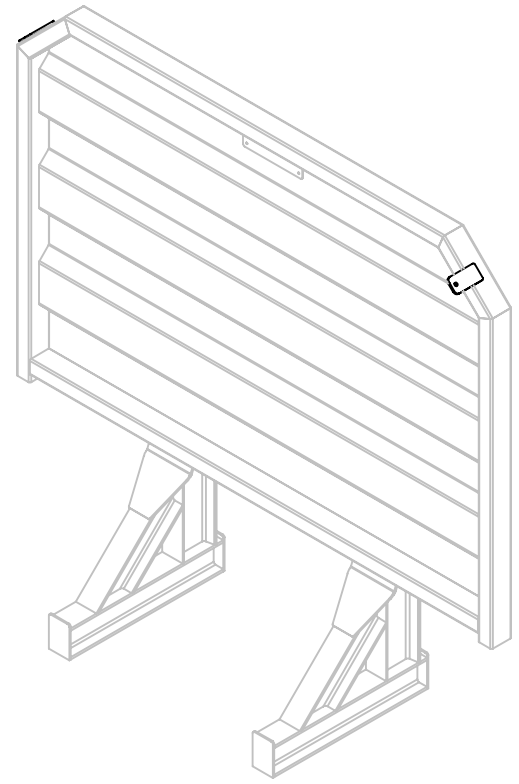
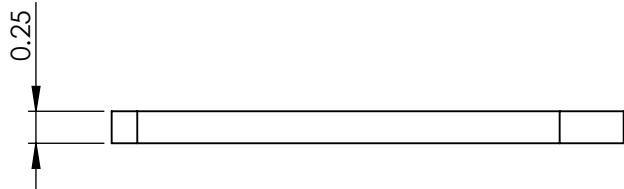
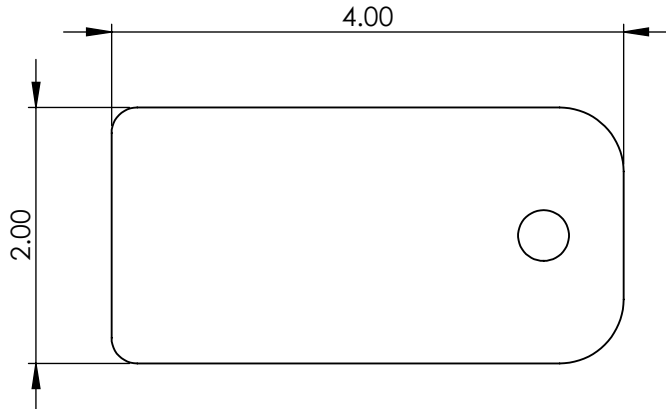
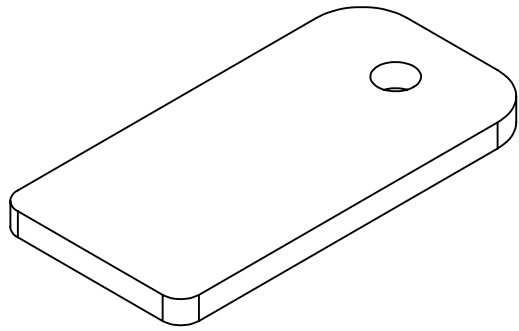
1

D

C

B

A



****SOLD IN PAIRS****

| | | | | |
|--------------------------|--------------------------|--|----------------|-----------------------|
| Part No.: 1431 | MATERIAL: 5052 (Alu) | THICKNESS: 0.250 | FINISH: Smooth | DWG. NO.: 3735-0-00-A |
| | Approx. Weight: 0.19 lbs | ICONIC ELEMENTS <small>PROPRIETARY AND CONFIDENTIAL</small> <small>NO PART OF THIS DOCUMENT MAY BE REPRODUCED, STORED IN A RETRIEVAL SYSTEM, OR TRANSMITTED IN ANY FORM, WITHOUT THE WRITTEN PERMISSION OF Iconic Elements Inc.</small> | | REV: SHEET: |
| | Surf. Area: 0.13 sq. ft. | TITLE: Load Light Tabs | | 1 OF 1 |

5

4

3

2

1

D

C

B

A