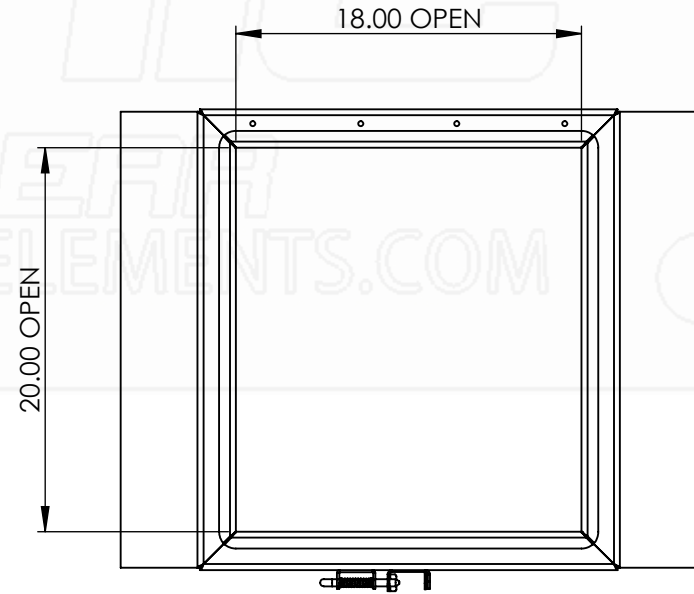
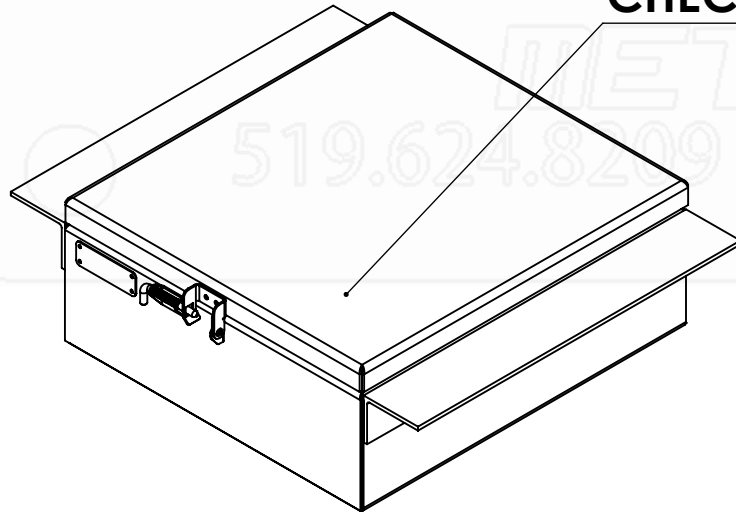


**CHECKER LID**



Part No.:

**1801**

MATERIAL: 5052 (Alum)

THICKNESS: 0.125

FINISH: Smooth

DWG. NO.: 3502-0-00-F

Approx. Weight: 30.90 lbs

**ICONIC ELEMENTS (ICONIC METALGEAR)** TITLE:

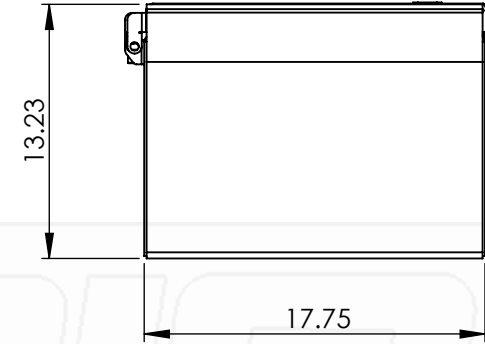
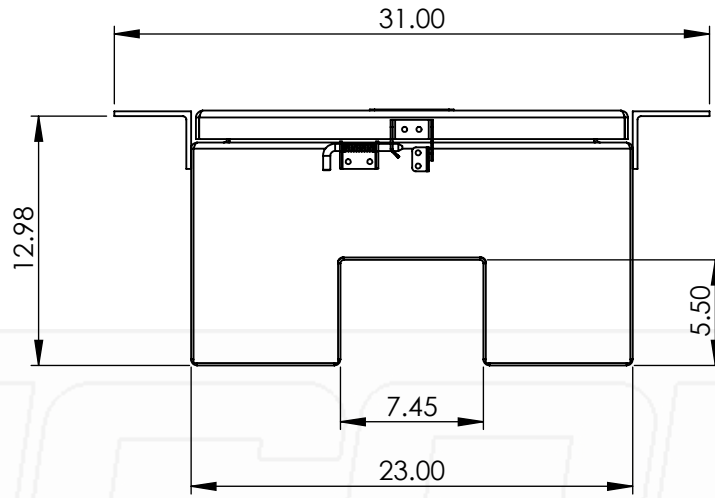
REV: SHEET:

Surf. Area: 35.68 sq. ft.

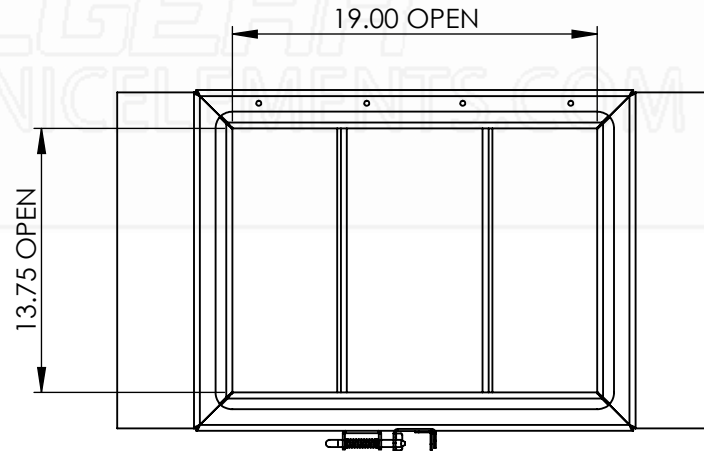
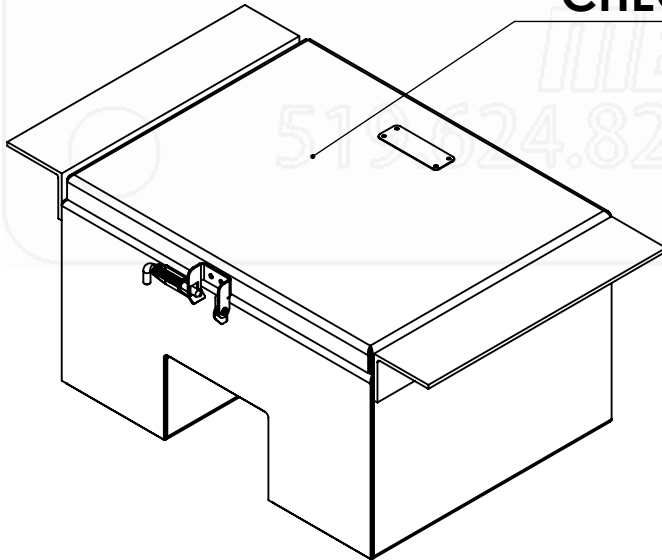
PROPRIETARY AND CONFIDENTIAL  
NO PART OF THIS DOCUMENT MAY BE REPRODUCED, STORED IN A RETRIEVAL SYSTEM, OR TRANSMITTED  
IN ANY FORM, WITHOUT THE WRITTEN PERMISSION OF Iconic Elements Inc. (ICONIC METALGEAR)

9" In-frame

F 1 OF 1



**\*\*CHECKER LID\*\***



Part No.:

**1802**

MATERIAL: 5052 (Alum)

Approx. Weight: 35.44 lbs

Surf. Area: 35.29 sq. ft.

THICKNESS: 0.125

**ICONIC ELEMENTS (ICONIC METALGEAR)** TITLE:

PROPRIETARY AND CONFIDENTIAL  
NO PART OF THIS DOCUMENT MAY BE REPRODUCED, STORED IN A RETRIEVAL SYSTEM, OR TRANSMITTED IN ANY FORM, WITHOUT THE WRITTEN PERMISSION OF Iconic Elements Inc. (ICONIC METALGEAR)

FINISH: Smooth

13" In-frame Box

DWG. NO.: 3503-0-00-E

REV: SHEET:

E 1 OF 1

5

4

3

2

1

D

C

B

A