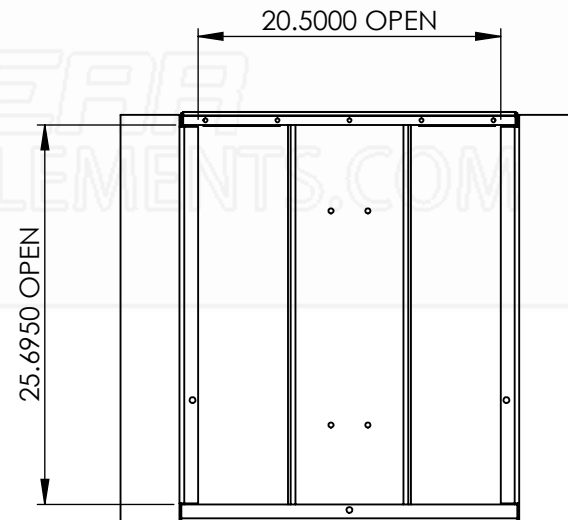
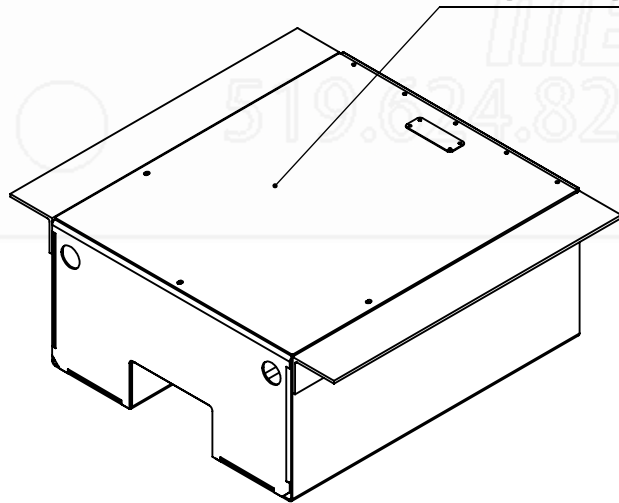


****CHECKER LID****



Part No.:

1800

MATERIAL: 5052 (Alum)

THICKNESS: 0.125

FINISH: Smooth

DWG. NO.: 3501-0-00-D

Approx. Weight: 45.74 lbs

ICONIC ELEMENTS (ICONIC METALGEAR) TITLE:

REV: SHEET:

Surf. Area: 44.85 sq. ft.

PROPRIETARY AND CONFIDENTIAL
NO PART OF THIS DOCUMENT MAY BE REPRODUCED, STORED IN A RETRIEVAL SYSTEM, OR TRANSMITTED
IN ANY FORM, WITHOUT THE WRITTEN PERMISSION OF Iconic Elements Inc. (ICONIC METALGEAR)

Battery Box

D 1 OF 1

5

4

3

2

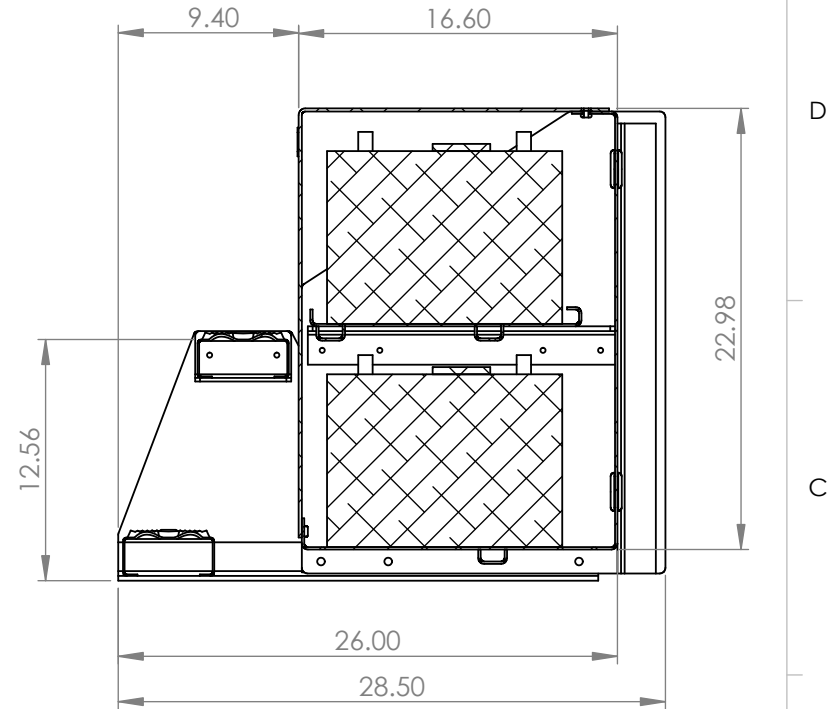
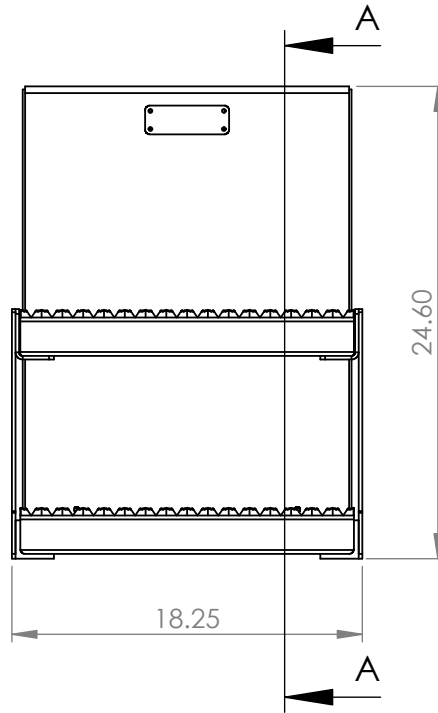
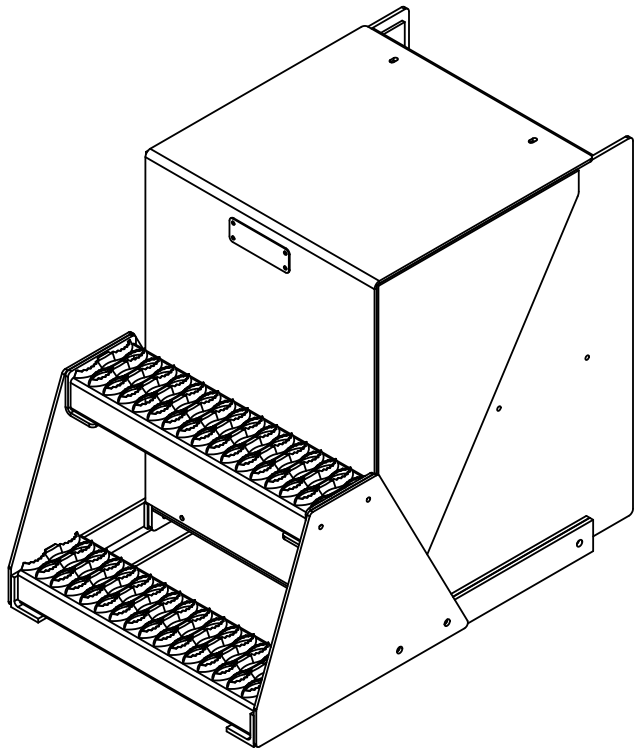
1

D

C

B

A



SECTION A-A

Part No.:

1809

MATERIAL: 3003 (Alum)

Approx. Weight: 358.95 lbs
Surf. Area: 74.20 sq. ft.

THICKNESS: 0.125

ICONIC ELEMENTS

PROPRIETARY AND CONFIDENTIAL
NO PART OF THIS DOCUMENT MAY BE REPRODUCED, STORED IN A RETRIEVAL SYSTEM, OR TRANSMITTED IN ANY FORM, WITHOUT THE WRITTEN PERMISSION OF Iconic Elements Inc.

FINISH: Checker

TITLE:

Battery Step Box

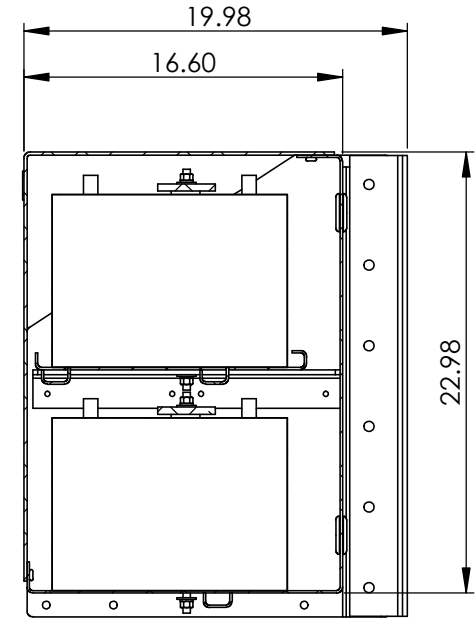
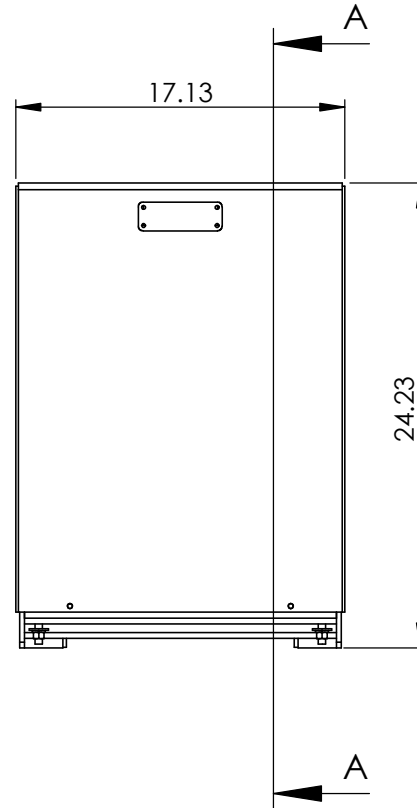
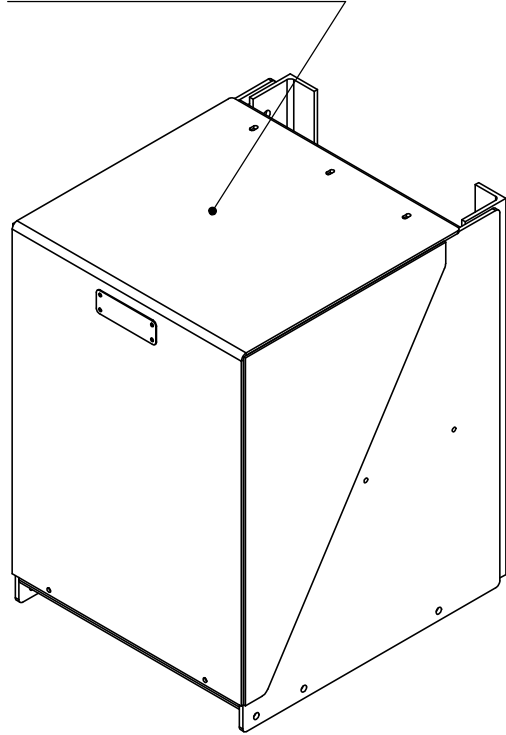
DWG. NO.: 1065-0-00-B

REV: SHEET:

B 1 OF 1

| REVISIONS | | | |
|-----------|--|-----------|--------|
| REV. | DESCRIPTION | DATE | REV BY |
| A | Preliminary | 1/04/2016 | HL |
| B | Changed to formed angle for battery tray and front lip, extended angle full height, shortened shelf depth, added holes/grommets. | 2/29/2016 | HL |
| C | Added mounting angles. | 6/29/2016 | HL |
| D | Added (1) oval hole to the lid and body. | 6/28/2017 | RM |

****CHECKER FRONT****



SECTION A-A

Part No.:

1810

MATERIAL: 5052 (Alum)

Approx. Weight: 68.58 lbs

Surf. Area: 79.45 sq. ft.

THICKNESS: 0.125

ICONIC ELEMENTS

PROPRIETARY AND CONFIDENTIAL
NO PART OF THIS DOCUMENT MAY BE REPRODUCED, STORED IN A RETRIEVAL SYSTEM, OR TRANSMITTED IN ANY FORM, WITHOUT THE WRITTEN PERMISSION OF Iconic Elements Inc.

FINISH: Smooth

TITLE:

Battery No-Step Box

DWG. NO.: 1584-0-00-D

REV: SHEET:

D 1 OF 1