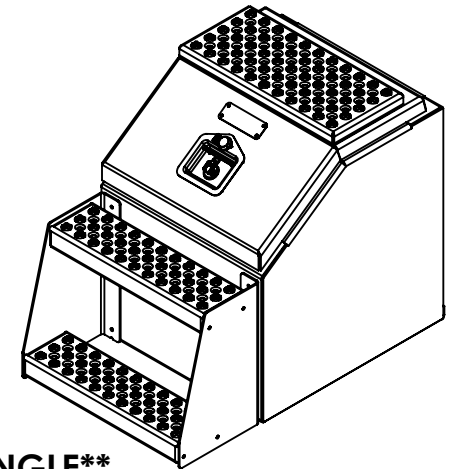
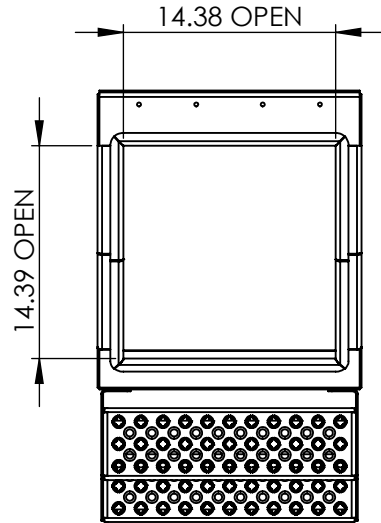
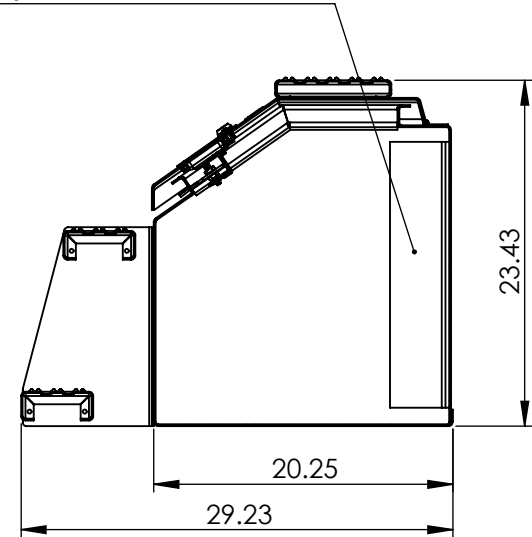
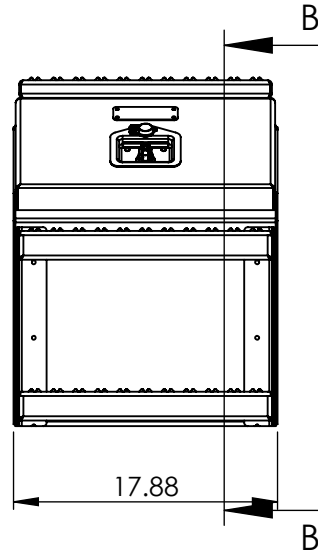


NO.	Item	Description	✓
1	Body Finish	Smooth Aluminum	
2	Door Finish	Smooth Aluminum	
3	Handle	T-Handle	
4			
5			

REVISIONS			
REV.	DESCRIPTION	DATE	REV BY
A	Preliminary	6/13/2017	RM
D	Made front step higher	2/27/2018	RM
B	Added front and top side hole and changed T-handle cut outs	8/2/2018	RM
C	New step design.	2/28/2019	RM



**** (2) 3" X 3" X 3/16" 6061 ANGLE ****



SECTION B-B

Part No.: 6580	MATERIAL: 5052 (Alum)	THICKNESS: 0.125	FINISH: Smooth	DWG. NO.: 2013-0-00-D
	Approx. Weight: 41.76 lbs	ICONIC ELEMENTS <small>PROPRIETARY AND CONFIDENTIAL NO PART OF THIS DOCUMENT MAY BE REPRODUCED, STORED IN A RETRIEVAL SYSTEM, OR TRANSMITTED IN ANY FORM, WITHOUT THE WRITTEN PERMISSION OF Iconic Elements Inc.</small>		REV: SHEET:
Surf. Area: 51.10 sq. ft.	TITLE: 18" Big Mouth SM Lid			D 1 OF 1