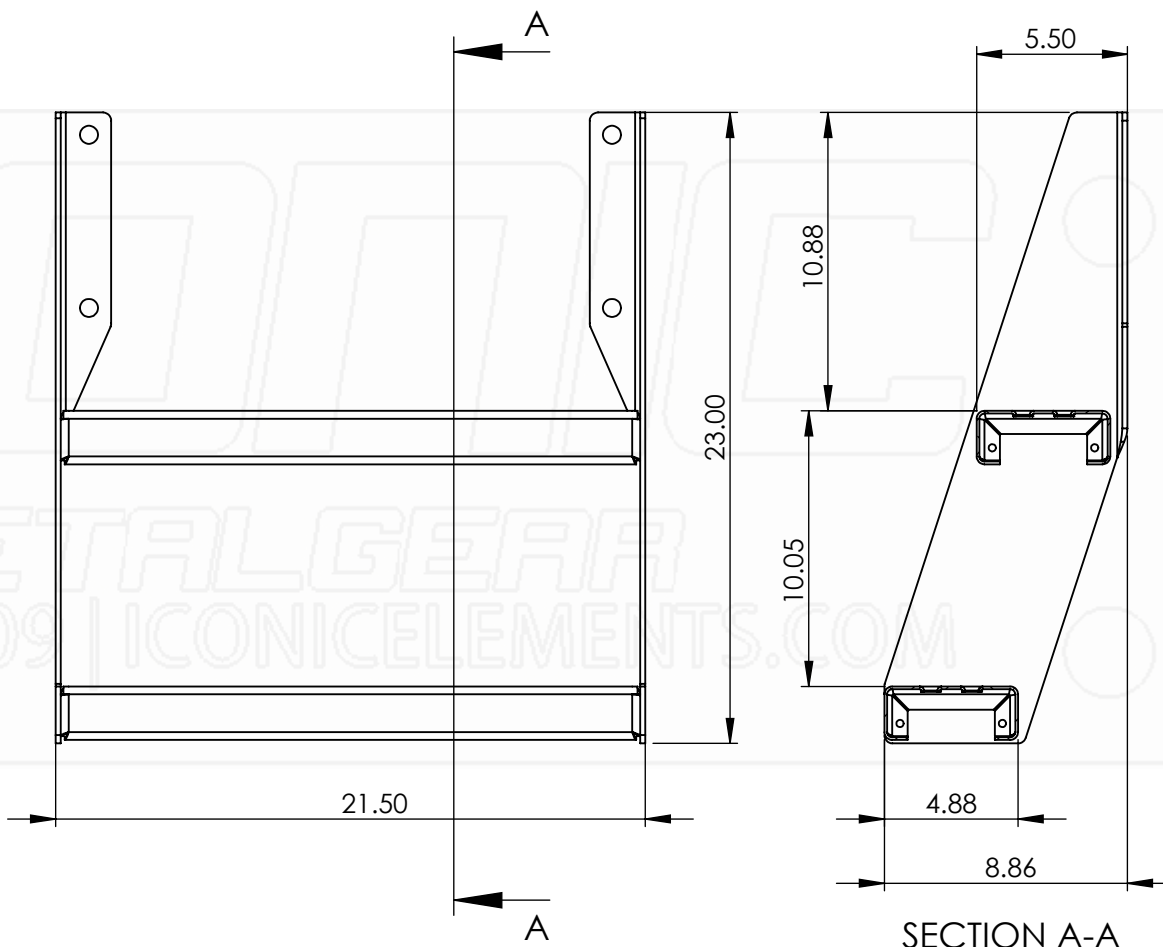
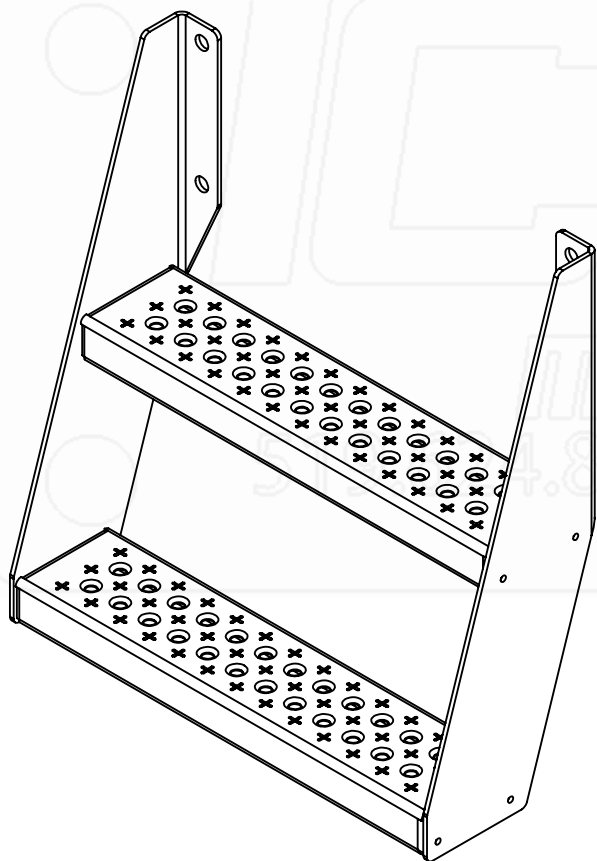


REVISIONS			
REV.	DESCRIPTION	DATE	REV BY
A	Preliminary.	2022-10-17	RM



Part No.:

**6087**

MATERIAL: 5052 (Alum)

THICKNESS: 0.188

FINISH: Smooth

DWG. NO.: 5938-0-00-A

Approx. Weight: 8.54 lbs

Surf. Area: 9.67 sq. ft.

**ICONIC ELEMENTS (ICONIC METALGEAR)** TITLE:

PROPRIETARY AND CONFIDENTIAL  
NO PART OF THIS DOCUMENT MAY BE REPRODUCED, STORED IN A RETRIEVAL SYSTEM, OR TRANSMITTED IN ANY FORM, WITHOUT THE WRITTEN PERMISSION OF Iconic Elements Inc. (ICONIC METALGEAR)

21.5" Frame Steps

REV: SHEET:

A 1 OF 1

5

4

3

2

1