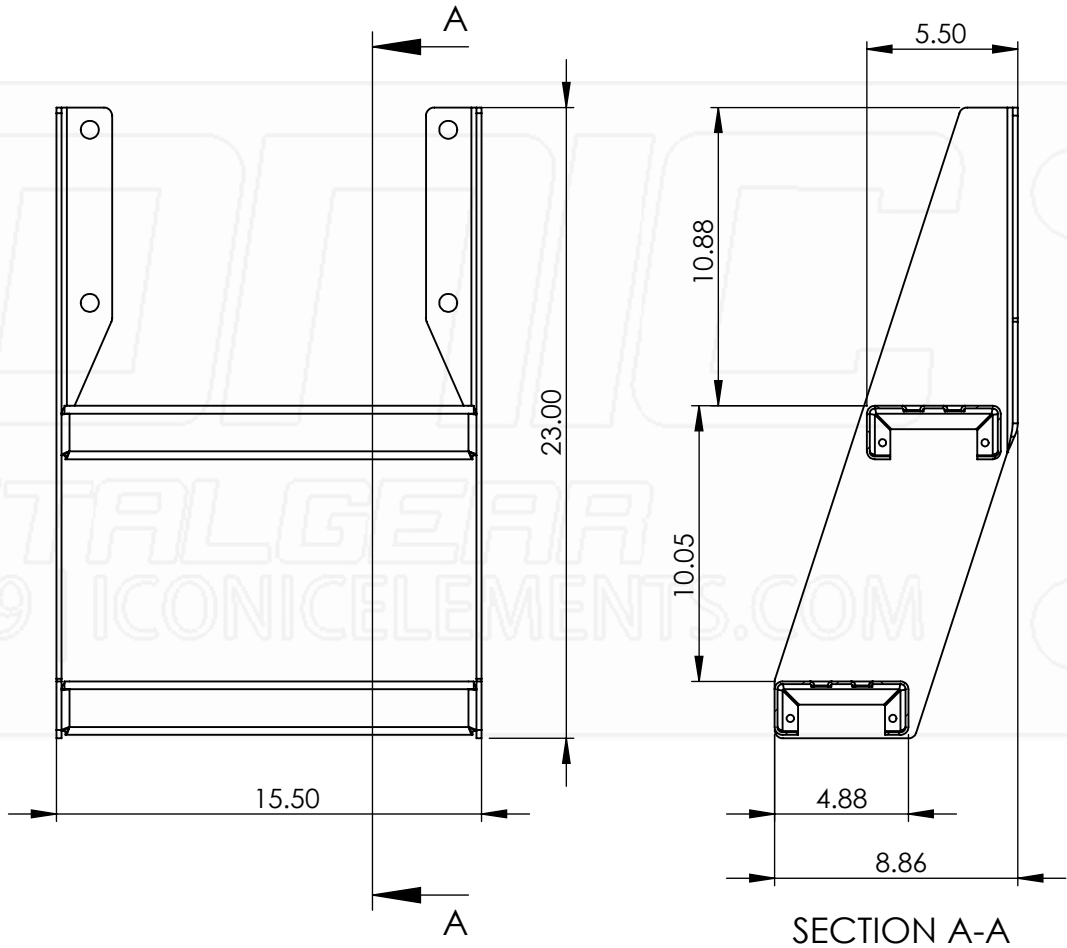
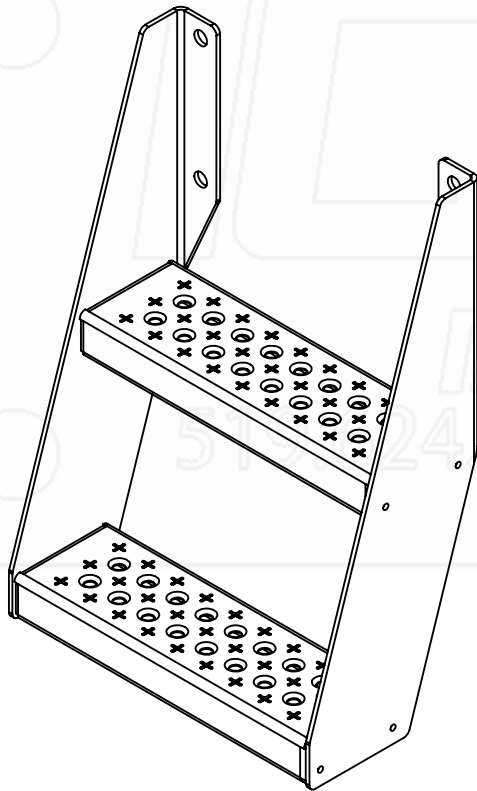


REVISIONS			
REV.	DESCRIPTION	DATE	REV BY
A	Preliminary.	2022-10-17	RM



SECTION A-A

Part No.:

6086

MATERIAL: 5052 (Alum)

THICKNESS: 0.188

FINISH: Smooth

DWG. NO.: 5937-0-00-A

Approx. Weight: 7.46 lbs

Surf. Area: 8.04 sq. ft.

ICONIC ELEMENTS (ICONIC METALGEAR) TITLE:

PROPRIETARY AND CONFIDENTIAL
NO PART OF THIS DOCUMENT MAY BE REPRODUCED, STORED IN A RETRIEVAL SYSTEM, OR TRANSMITTED IN ANY FORM, WITHOUT THE WRITTEN PERMISSION OF Iconic Elements Inc. (ICONIC METALGEAR)

15.5" Frame Steps

REV: SHEET:

A 1 OF 1

5

4

3

2

1