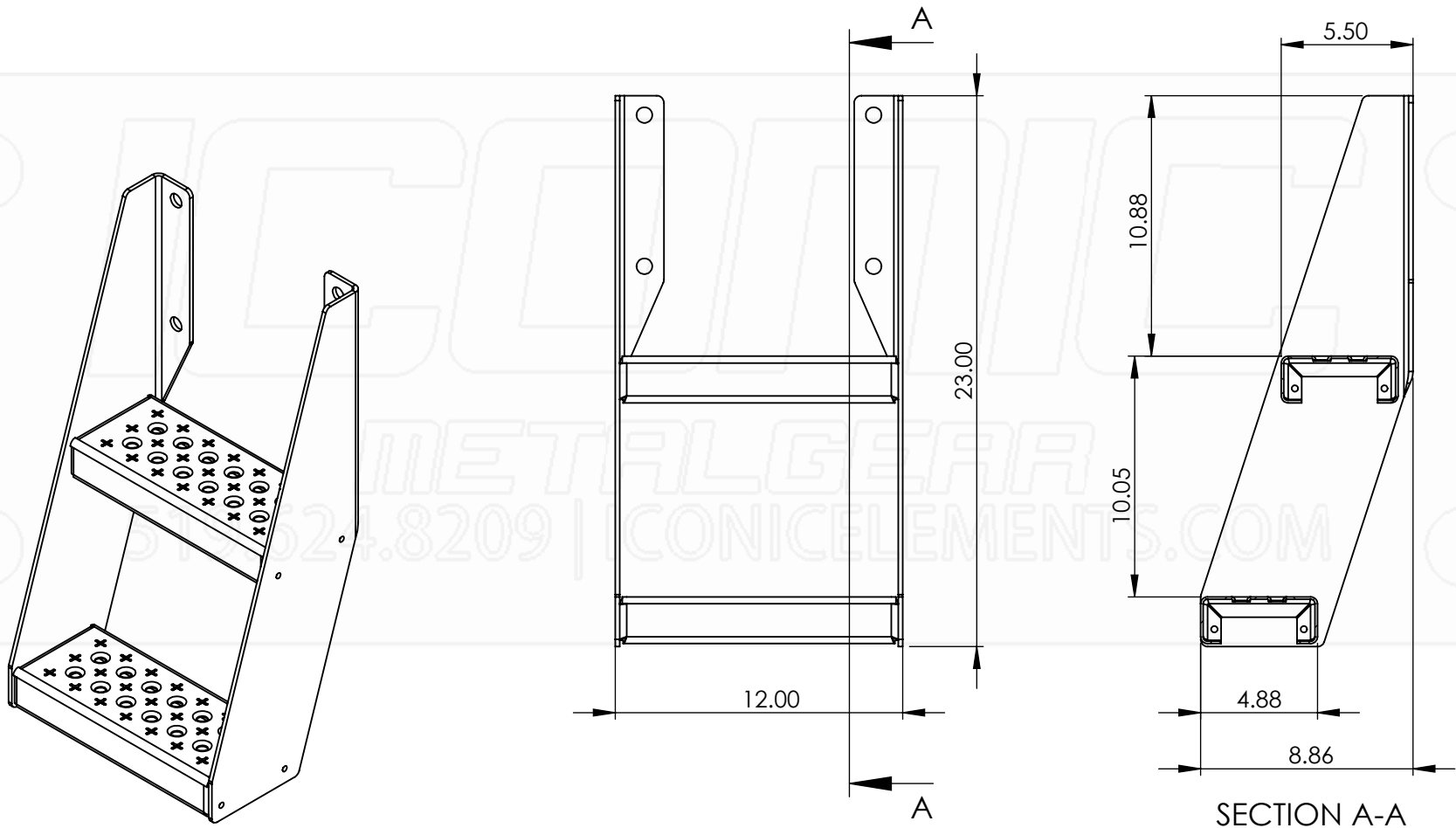


REVISIONS			
REV.	DESCRIPTION	DATE	REV BY
A	Preliminary.	4/21/2016	HL
B	Reduced width to 12".	4/25/2016	HL
C	New design step, changed sides thickness to 3/16".	2021-08-11	RM
D	Updated steps material k-factor to 0.36.	2022-09-28	RM



Part No.:

6076

MATERIAL: 5052 (Alum)

THICKNESS: 0.188

FINISH: Smooth

DWG. NO.: 1516-0-00-D

Approx. Weight: 6.82 lbs

Surf. Area: 7.09 sq. ft.

ICONIC ELEMENTS (ICONIC METALGEAR) TITLE:

PROPRIETARY AND CONFIDENTIAL
NO PART OF THIS DOCUMENT MAY BE REPRODUCED, STORED IN A RETRIEVAL SYSTEM, OR TRANSMITTED
IN ANY FORM, WITHOUT THE WRITTEN PERMISSION OF Iconic Elements Inc. (ICONIC METALGEAR)

Frame Steps

REV: SHEET:

D 1 OF 1

5

4

3

2

1