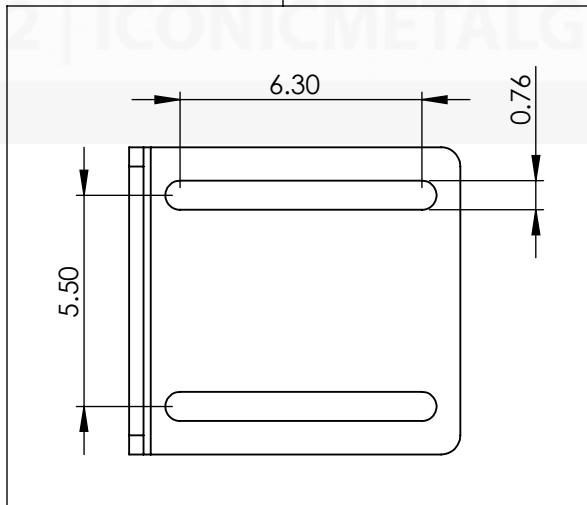
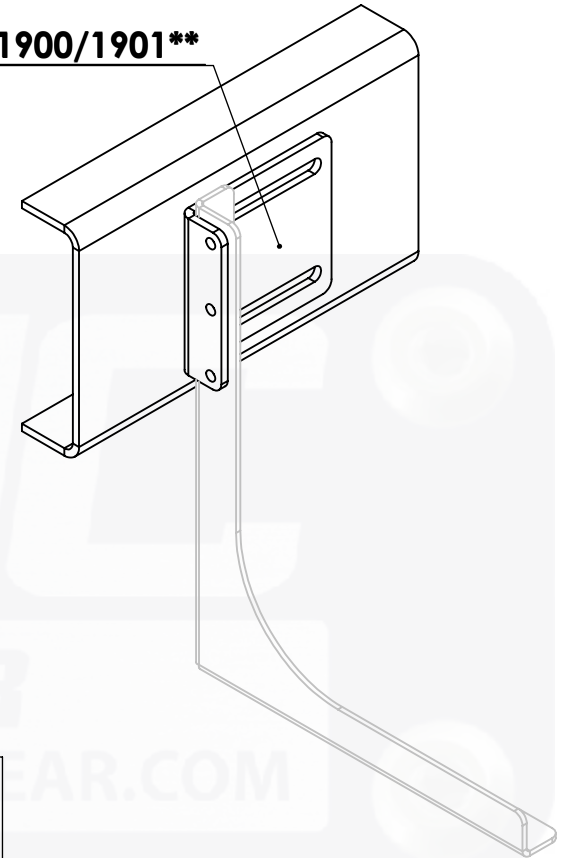
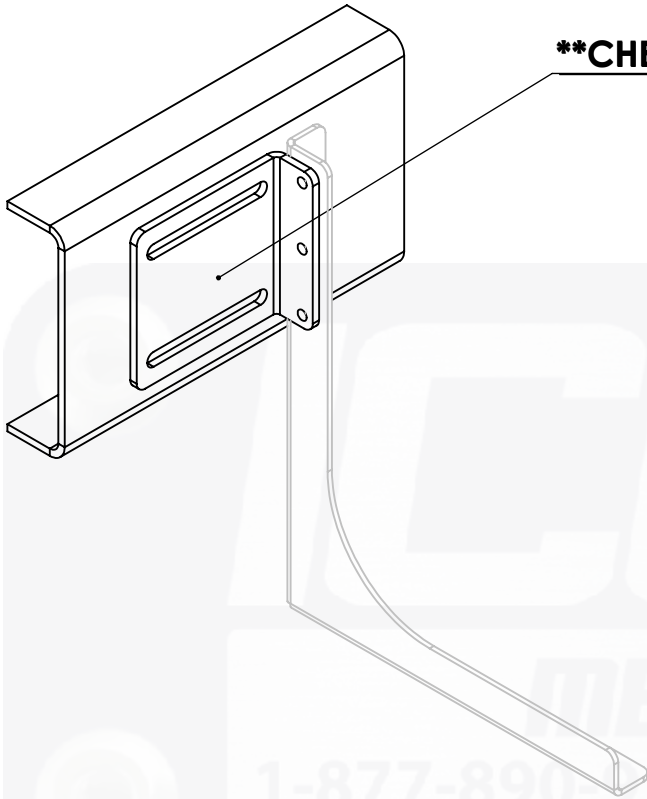


****CHEATER BRACKET SOLD INDIVIDUALLY****

****CHEATER BRACKET MUST BE USED WITH P/N:1900/1901****



MOUNTING OPTION :A

MOUNTING OPTION :B

Part No.:

1910

MATERIAL: 44W

Approx. Weight: 25.31 lbs

Surf. Area: 8.91 sq. ft.

THICKNESS: 0.375

FINISH: HRAP

DWG. NO.: 1085-0-00-D

ICONIC ELEMENTS (ICONIC METALGEAR) TITLE:

PROPRIETARY AND CONFIDENTIAL

NO PART OF THIS DOCUMENT MAY BE REPRODUCED, STORED IN A RETRIEVAL SYSTEM, OR TRANSMITTED IN ANY FORM, WITHOUT THE WRITTEN PERMISSION OF Iconic Elements Inc. (ICONIC METALGEAR)

Cheater Bracket

REV: SHEET:

D 1 OF 1