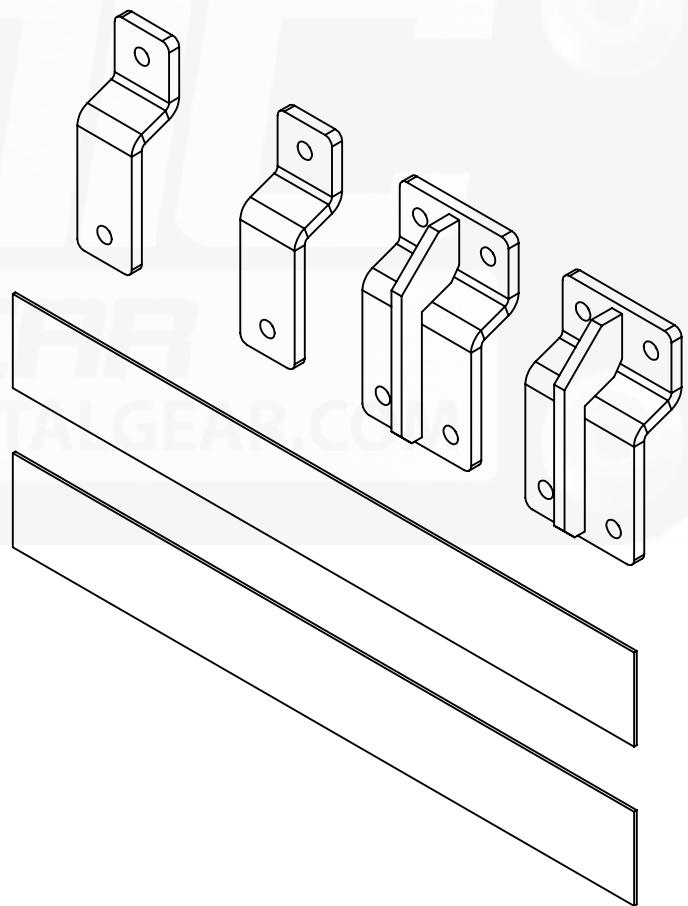
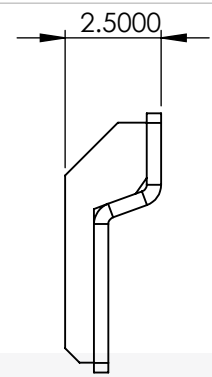


**\*\*RUBBER STRIPS\*\***



Part No.:	MATERIAL: 44W	THICKNESS: 0.375	FINISH: HRAP	DWG. NO.: 774-000-000-B
<b>1908</b>	Approx. Weight: 11.15 lbs	<b>ICONIC ELEMENTS (ICONIC METALGEAR) TITLE:</b>		REV: SHEET:
	Surf. Area: 3.73 sq. ft.	<b>PROPRIETARY AND CONFIDENTIAL</b> NO PART OF THIS DOCUMENT MAY BE REPRODUCED, STORED IN A RETRIEVAL SYSTEM, OR TRANSMITTED IN ANY FORM, WITHOUT THE WRITTEN PERMISSION OF Iconic Elements Inc. (ICONIC METALGEAR)		<b>B 1 OF 1</b>
5	4	3	2	1

Quik-Mount Kit

D  
C  
B  
A