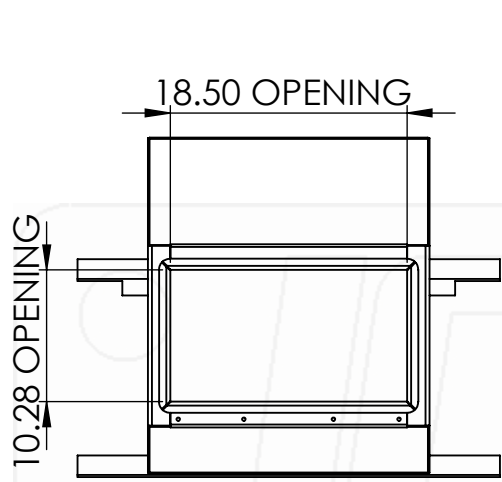
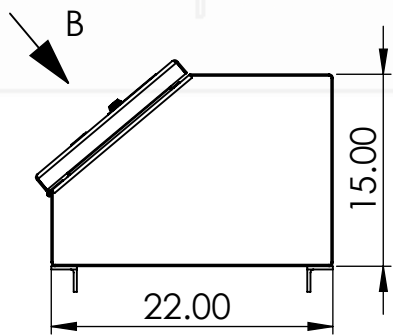
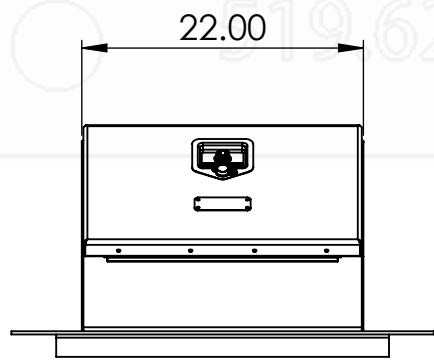
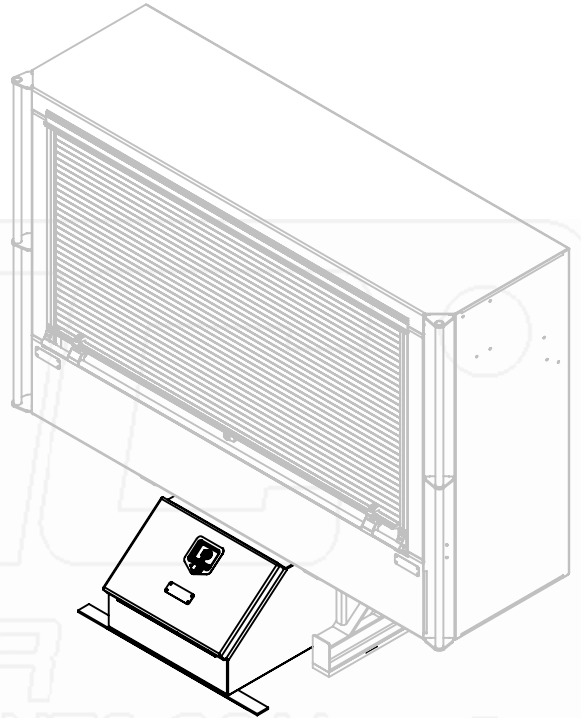
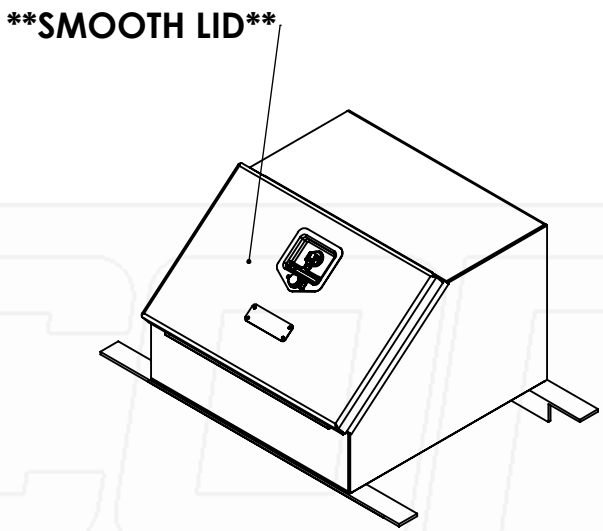


REVISIONS			
REV.	DESCRIPTION	DATE	REV BY
A	Preliminary	1/22/21	RM



VIEW B  
50.00°



Part No.: <b>1816</b>	MATERIAL: 5052 (Alum)	THICKNESS: 0.125	FINISH: Smooth	DWG. NO.: 3510-1-00-A
	Approx. Weight: 40.33 lbs	<b>ICONIC ELEMENTS (ICONIC METALGEAR)</b> TITLE:		REV: SHEET:
Surf. Area: 426.52 sq. ft.	<small>PROPRIETARY AND CONFIDENTIAL NO PART OF THIS DOCUMENT MAY BE REPRODUCED, STORED IN A RETRIEVAL SYSTEM, OR TRANSMITTED IN ANY FORM, WITHOUT THE WRITTEN PERMISSION OF Iconic Elements Inc. (ICONIC METALGEAR)</small>		<b>22" Boot Box (Roll Up Rack)</b>	
5	4	3	2	1

D  
C  
B  
A