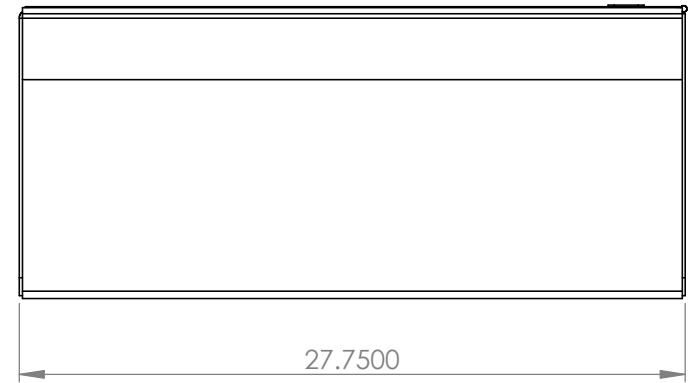
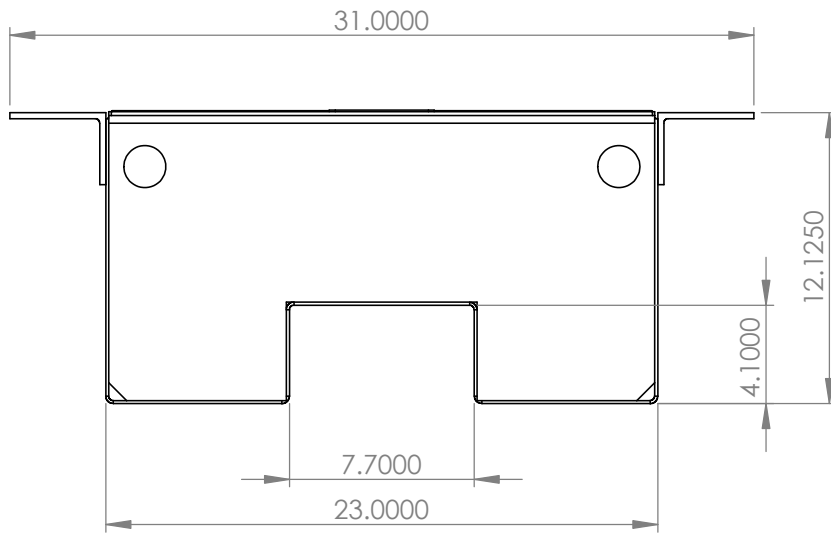
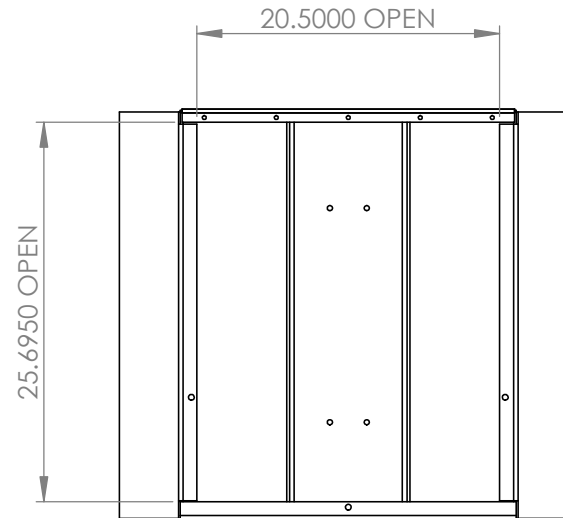
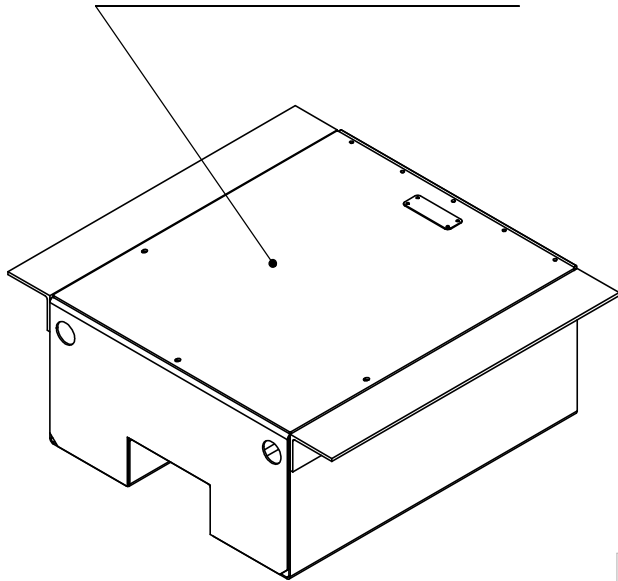


NOTES: Approx. Weight: 45.33 lbs

--- Bend down
 --- Bend up



****CHECKER LID****



P/N: 1800

DWG. NO.: 508-B-231228-K

MATERIAL: 5052 (Alum)

THICKNESS: 0.125

FINISH: Smooth

Drawn By
 Date Drawn
 Checked By

PROPRIETARY AND CONFIDENTIAL
 NO PART OF THIS DOCUMENT MAY BE REPRODUCED, STORED IN A RETRIEVAL SYSTEM, OR TRANSMITTED IN ANY FORM, WITHOUT THE WRITTEN PERMISSION OF Iconic Elements Inc.

ICONIC ELEMENTS
 UNLESS OTHERWISE SPECIFIED: DIMENSIONS ARE IN INCHES
 TOLERANCES: X/X±1/16" .XX±.00" .XXX±.006"

TITLE:
Battery Box

REV: K
 SHEET: 1 OF 1