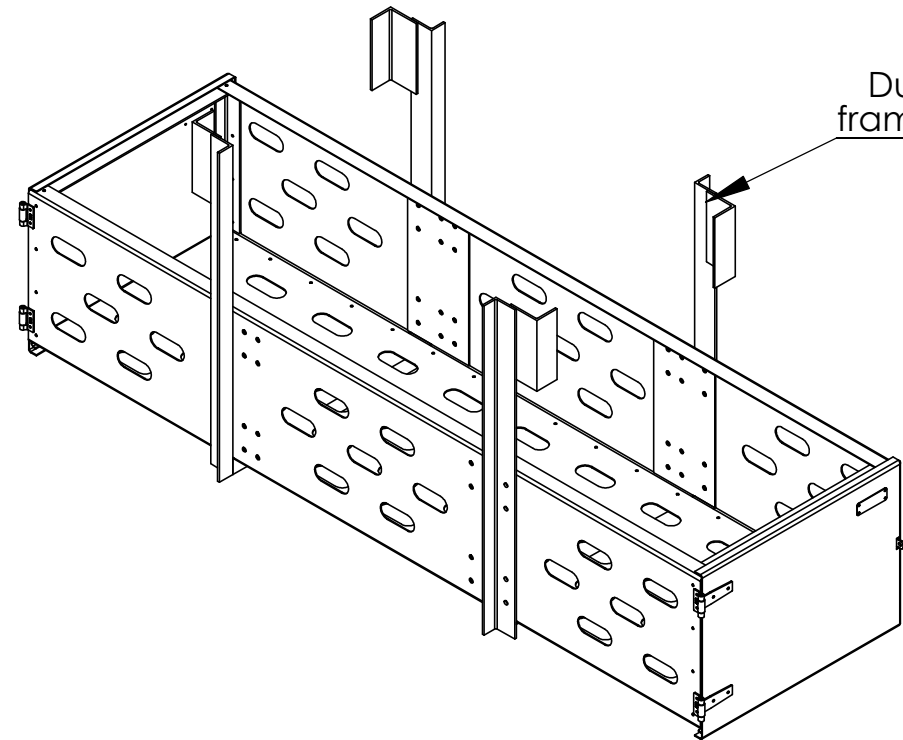
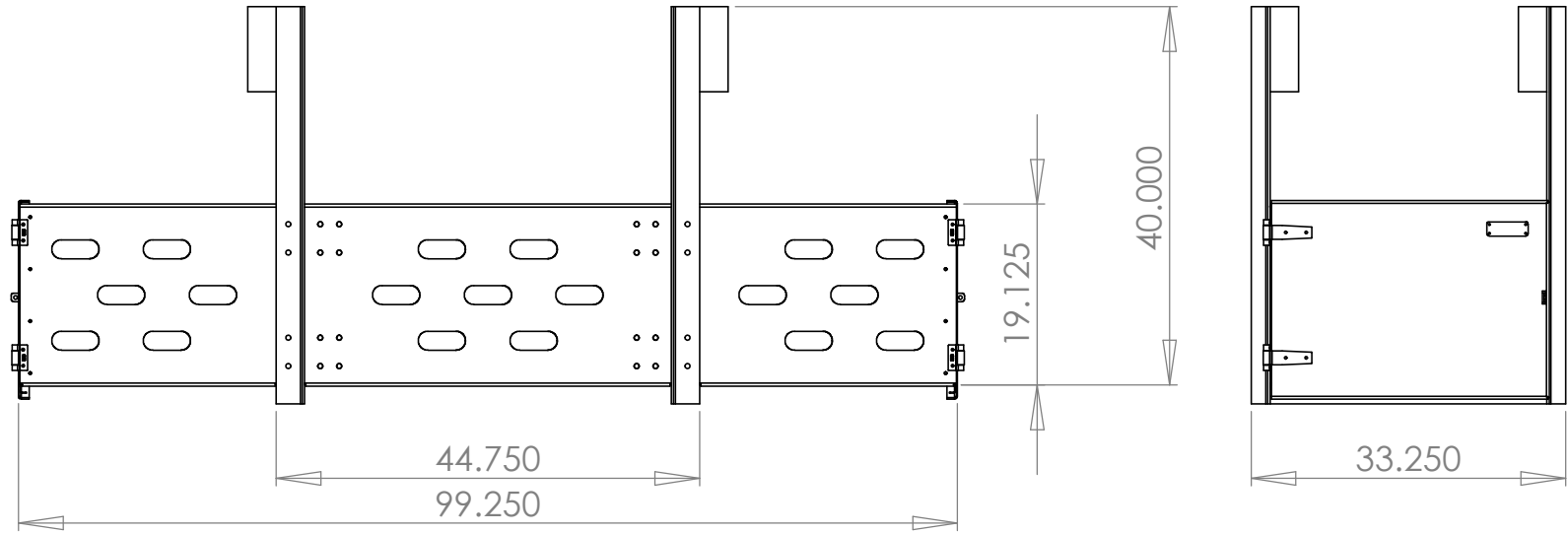


NOTES: Approx. Weight: 140.73 lbs

--- Bend down
 --- Bend up



PART NUMBER: 1705

DWG. NO.: 738-000-000-H

MATERIAL: 5052 (Alum)

THICKNESS: 0.125

FINISH: Smooth

Drawn By
 Date Drawn
 Checked By

PROPRIETARY AND CONFIDENTIAL

NO PART OF THIS DOCUMENT MAY BE REPRODUCED, STORED IN A RETRIEVAL SYSTEM, OR TRANSMITTED IN ANY FORM, WITHOUT THE WRITTEN PERMISSION OF Iconic Elements Inc.

ICONIC ELEMENTS

UNLESS OTHERWISE SPECIFIED: DIMENSIONS ARE IN INCHES TOLERANCES: X/X±1/16" .XX±.01" .XXX±.005"

TITLE:

Dunnage Holder

REV: A SHEET: 1 OF 1

5

4

3

2

1