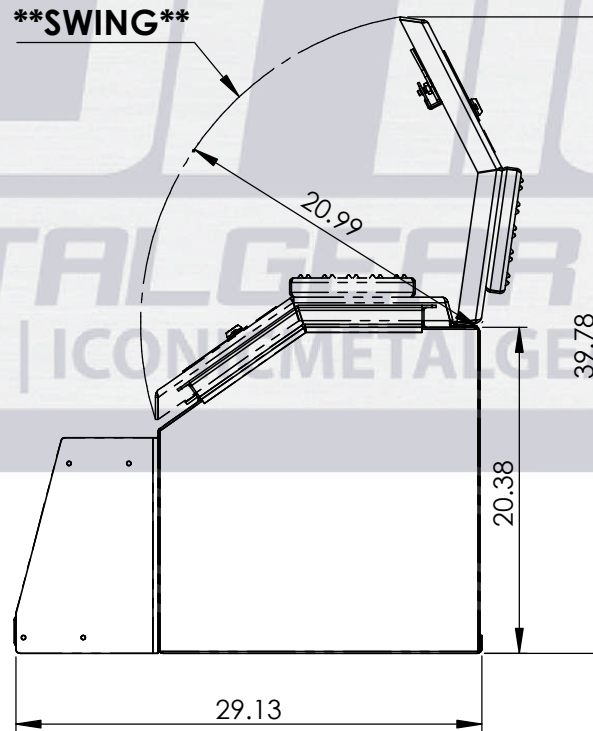
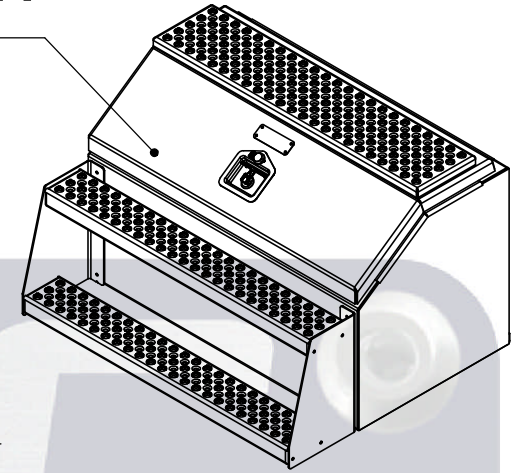


**\*\*CHECKER LID\*\***



**NOTE:  
WHEN MOUNTING.  
MAKE SURE TOOLBOX  
LID DOES NOT INTERFERE  
WITH TRUCK FAIRING.**

Part No.:

**1529**

MATERIAL: 5052 (Alum)

Approx. Weight: 64.64 lbs

Surf. Area: 78.72 sq. ft.

THICKNESS: 0.125

**ICONIC ELEMENTS (ICONIC METALGEAR)**

PROPRIETARY AND CONFIDENTIAL

NO PART OF THIS DOCUMENT MAY BE REPRODUCED, STORED IN A RETRIEVAL SYSTEM, OR TRANSMITTED IN ANY FORM, WITHOUT THE WRITTEN PERMISSION OF Iconic Elements Inc. (ICONIC METALGEAR)

FINISH: Smooth

TITLE:

36" Big Mouth CH Lid

DWG. NO.: 3413-0-00-J

REV: SHEET:

J 1 OF 1