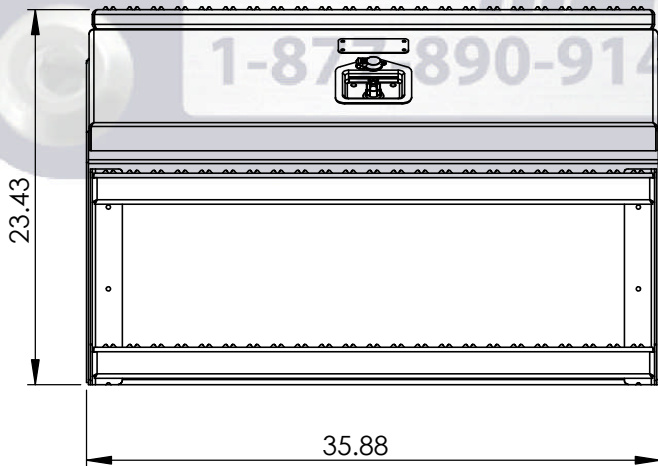
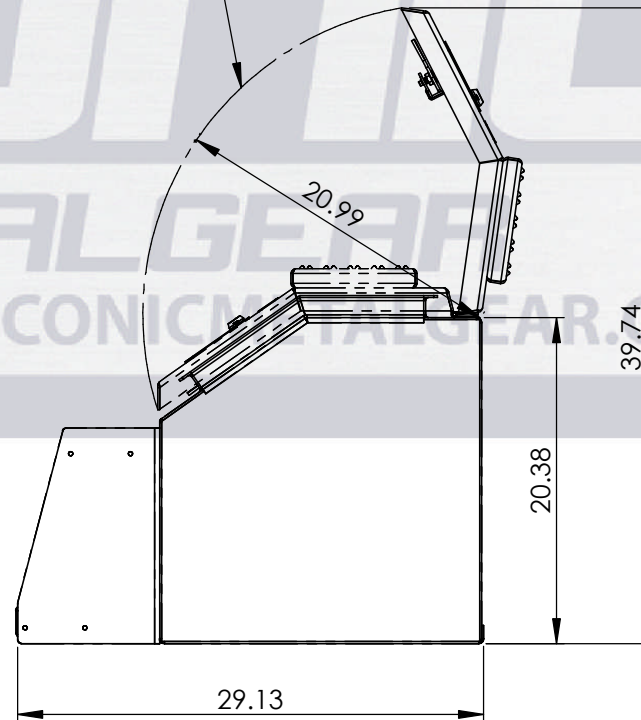


****SWING****



NOTE:
WHEN MOUNTING,
MAKE SURE TOOLBOX
LID DOES NOT INTERFERE
WITH TRUCK FAIRING.

Part No.:

1528

MATERIAL: 5052 (Alum)

THICKNESS: 0.125

FINISH: Smooth

DWG. NO.: 3414-0-00-J

Approx. Weight: 61.06 lbs

ICONIC ELEMENTS (ICONIC METALGEAR) TITLE:

TITLE:

REV: SHEET:

Surf. Area: 78.63 sq. ft.

PROPRIETARY AND CONFIDENTIAL
 NO PART OF THIS DOCUMENT MAY BE REPRODUCED, STORED IN A RETRIEVAL SYSTEM, OR TRANSMITTED
 IN ANY FORM, WITHOUT THE WRITTEN PERMISSION OF Iconic Elements Inc. (ICONIC METALGEAR)

36" Big Mouth SM Lid

J 1 OF 1