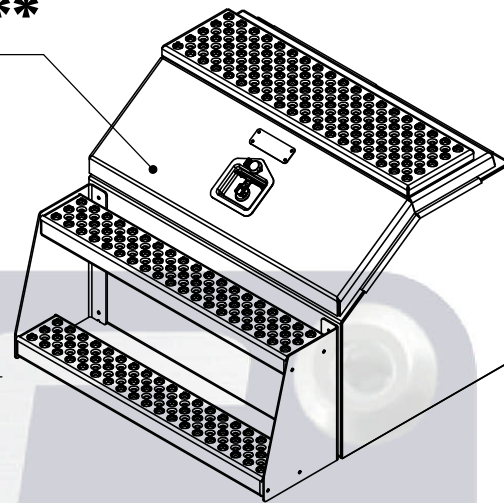
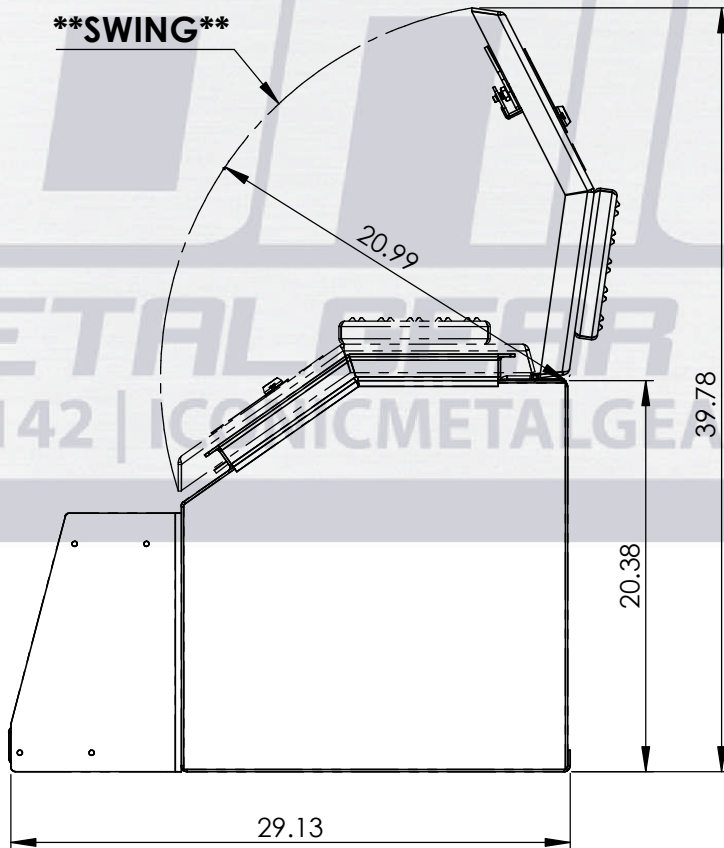
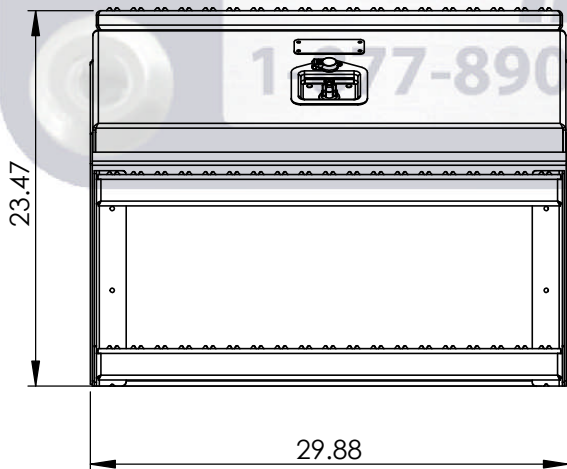
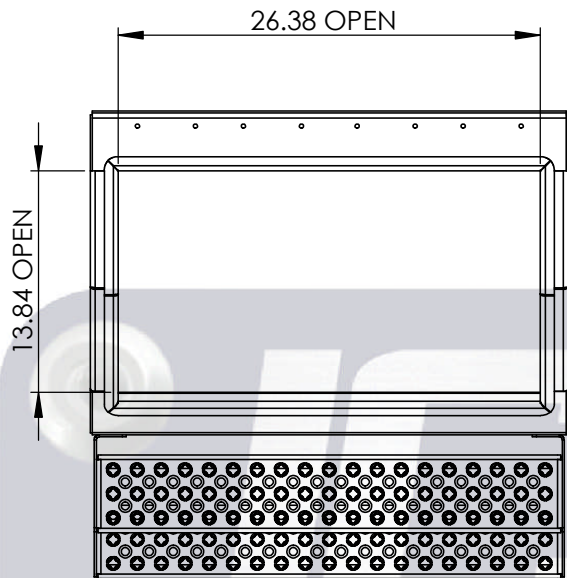


CHECKER LID



NOTE:
WHEN MOUNTING.
MAKE SURE TOOLBOX
LID DOES NOT INTERFERE
WITH TRUCK FAIRING.

Part No.:

1524

MATERIAL: 5052 (Alum)

Approx. Weight: 55.36 lbs

Surf. Area: 68.21 sq. ft.

THICKNESS: 0.125

ICONIC ELEMENTS (ICONIC METALGEAR)

PROPRIETARY AND CONFIDENTIAL
 NO PART OF THIS DOCUMENT MAY BE REPRODUCED, STORED IN A RETRIEVAL SYSTEM, OR TRANSMITTED IN ANY FORM, WITHOUT THE WRITTEN PERMISSION OF Iconic Elements Inc. (ICONIC METALGEAR)

FINISH: Smooth

TITLE:

30" Big Mouth CH Lid

DWG. NO.: 3411-0-00-J

REV: SHEET:

J 1 OF 1