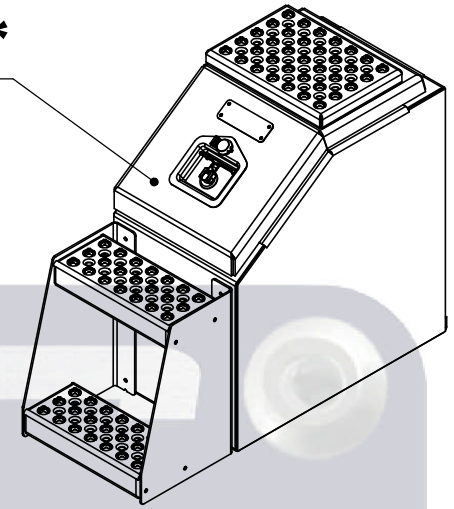
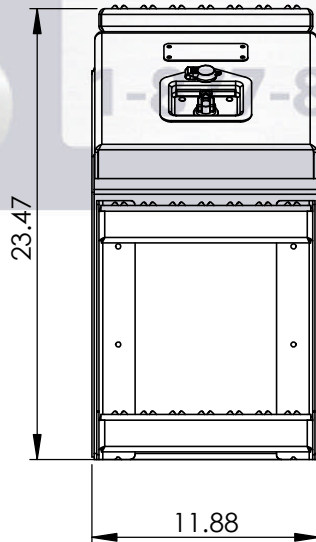
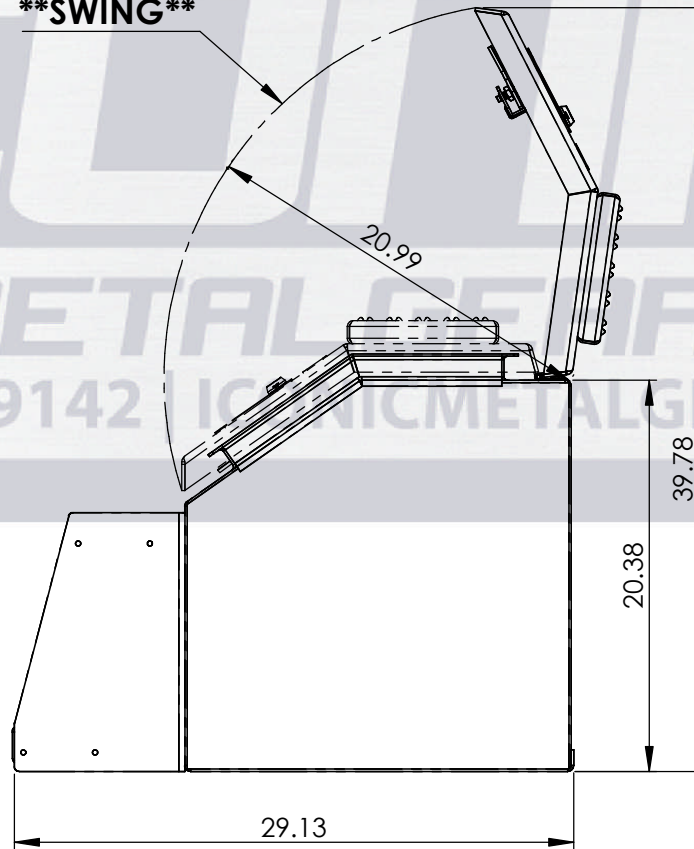


****CHECKER LID****



****SWING****



**NOTE:
WHEN MOUNTING.
MAKE SURE TOOLBOX
LID DOES NOT INTERFERE
WITH TRUCK FAIRING.**

Part No.:

1519

MATERIAL: 5052 (Alum)

THICKNESS: 0.125

FINISH: Smooth

DWG. NO.: 3406-0-00-J

Approx. Weight: 28.57 lbs

ICONIC ELEMENTS (ICONIC METALGEAR) TITLE:

REV: SHEET:

Surf. Area: 37.29 sq. ft.

PROPRIETARY AND CONFIDENTIAL
NO PART OF THIS DOCUMENT MAY BE REPRODUCED, STORED IN A RETRIEVAL SYSTEM, OR TRANSMITTED IN ANY FORM, WITHOUT THE WRITTEN PERMISSION OF Iconic Elements Inc. (ICONIC METALGEAR)

12" Big Mouth CH Lid

J 1 OF 1

5

4

3

2

1