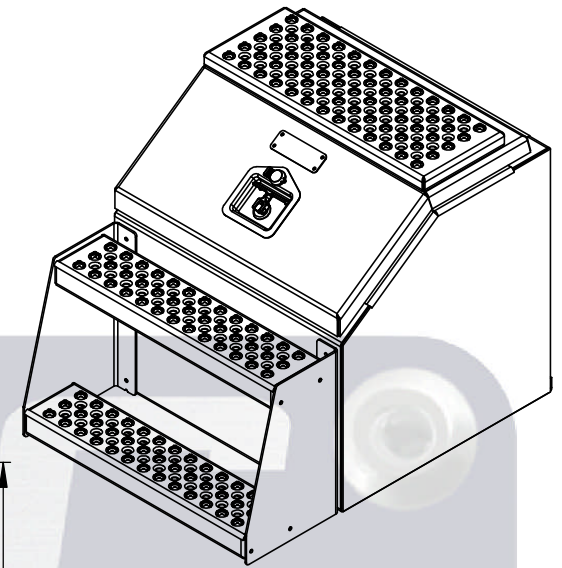
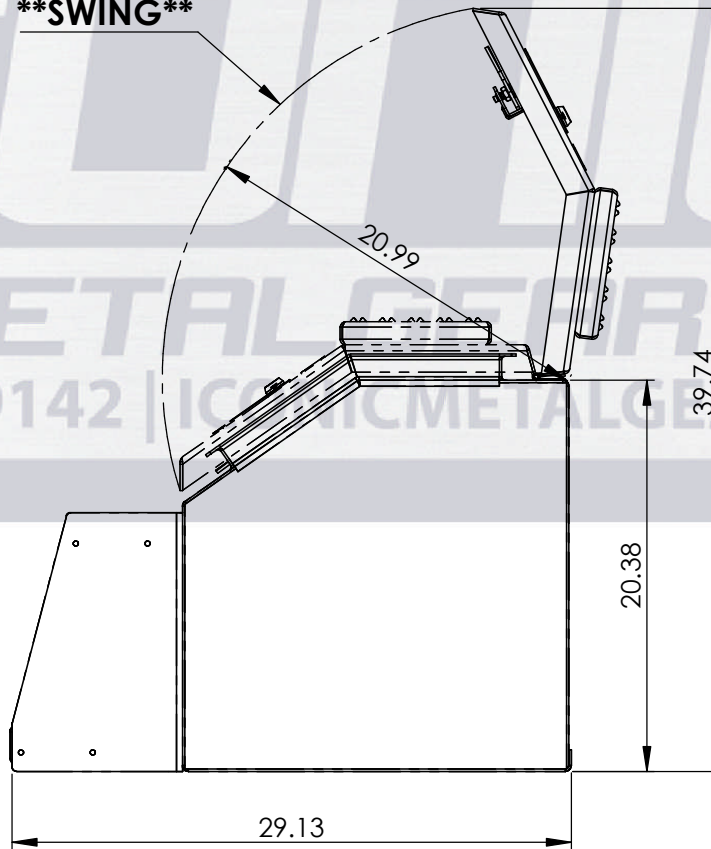


**\*\*SWING\*\***



**NOTE:  
WHEN MOUNTING.  
MAKE SURE TOOLBOX  
LID DOES NOT INTERFERE  
WITH TRUCK FAIRING.**

Part No.:

**1517**

MATERIAL: 5052 (Alum)

Approx. Weight: 41.42 lbs  
Surf. Area: 54.48 sq. ft.

THICKNESS: 0.125

**ICONIC ELEMENTS (ICONIC METALGEAR)**

PROPRIETARY AND CONFIDENTIAL  
NO PART OF THIS DOCUMENT MAY BE REPRODUCED, STORED IN A RETRIEVAL SYSTEM, OR TRANSMITTED IN ANY FORM, WITHOUT THE WRITTEN PERMISSION OF Iconic Elements Inc. (ICONIC METALGEAR)

FINISH: Smooth

TITLE:

22" Big Mouth SM Lid

DWG. NO.: 3404-0-00-J

REV: SHEET:

J 1 OF 1

5

4

3

2

1

D

C

B

A