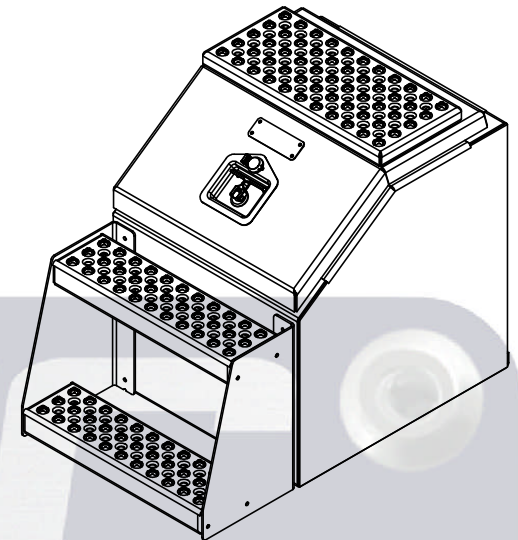
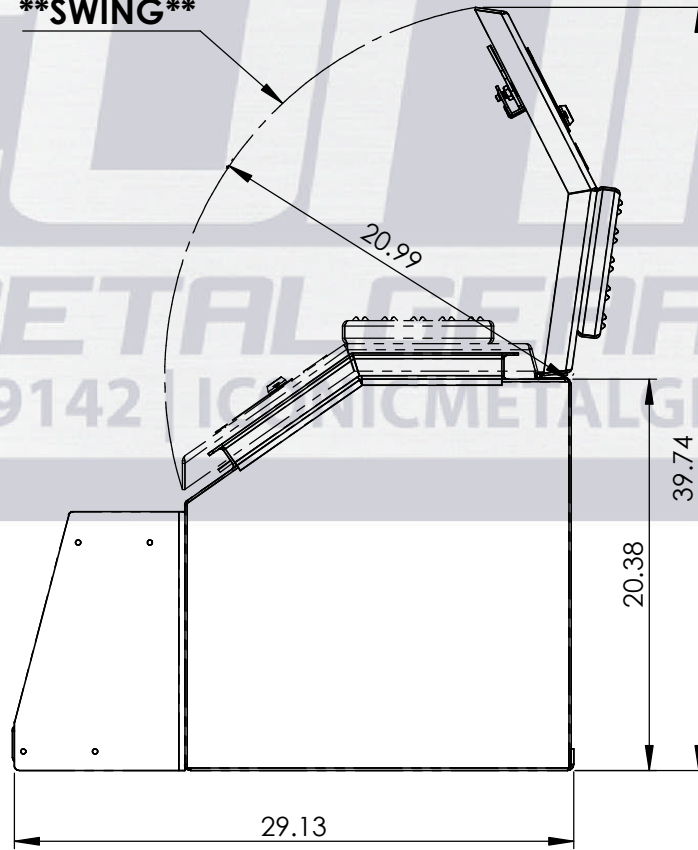


**\*\*SWING\*\***



**NOTE:  
WHEN MOUNTING,  
MAKE SURE TOOLBOX  
LID DOES NOT INTERFERE  
WITH TRUCK FAIRING.**

Part No.:

**1516**

MATERIAL: 5052 (Alum)

THICKNESS: 0.125

FINISH: Smooth

DWG. NO.: 3403-0-00-J

Approx. Weight: 35.78 lbs  
Surf. Area: 47.58 sq. ft.

**ICONIC ELEMENTS (ICONIC METALGEAR) TITLE:**

PROPRIETARY AND CONFIDENTIAL  
NO PART OF THIS DOCUMENT MAY BE REPRODUCED, STORED IN A RETRIEVAL SYSTEM, OR TRANSMITTED IN ANY FORM, WITHOUT THE WRITTEN PERMISSION OF Iconic Elements Inc. (ICONIC METALGEAR)

18" Big Mouth SM Lid

REV: SHEET:

J 1 OF 1

5

4

3

2

1

D

C

B

A