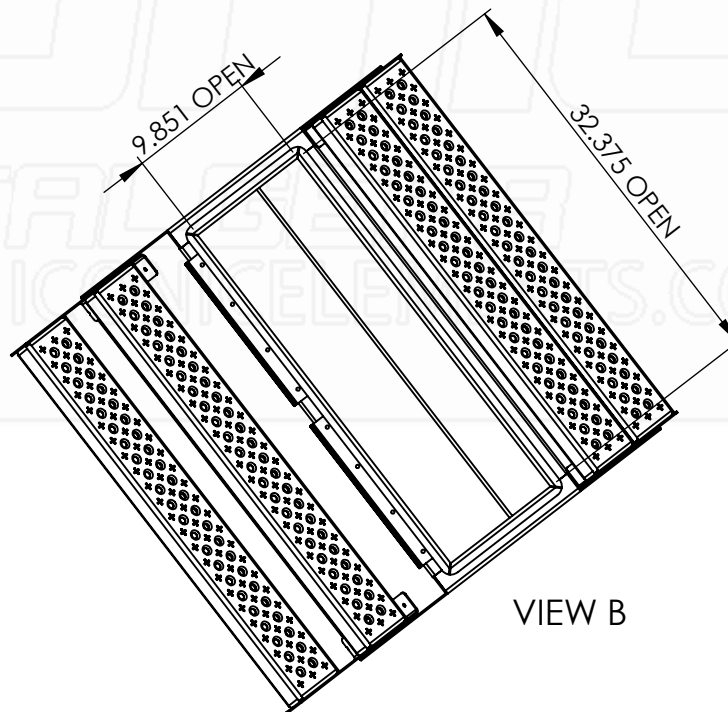
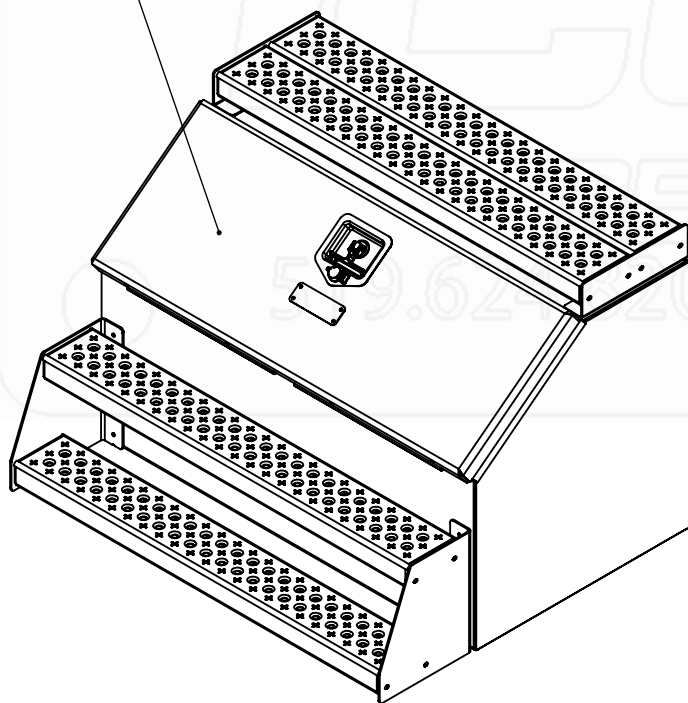
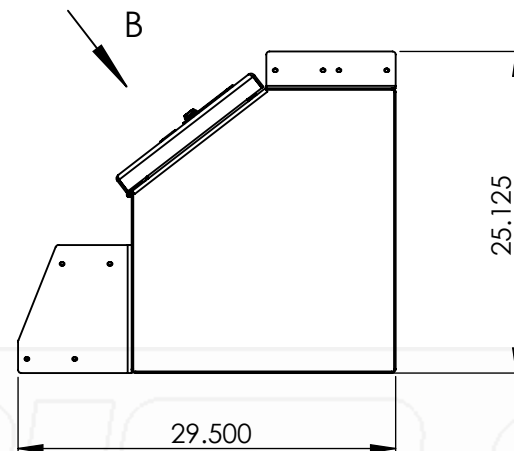
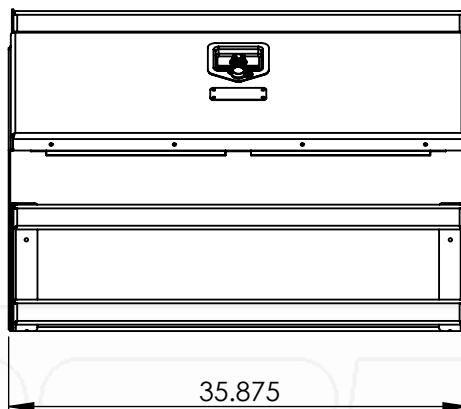


**\*\*CHECKER LID\*\***



Part No.:

**1513**

MATERIAL: 5052 (Alum)

THICKNESS: 0.125

FINISH: Smooth

DWG. NO.: 3314-0-00-L

Approx. Weight: 69.05 lbs

Surf. Area: 83.25 sq. ft.

**ICONIC ELEMENTS (ICONIC METALGEAR)** TITLE:

PROPRIETARY AND CONFIDENTIAL  
NO PART OF THIS DOCUMENT MAY BE REPRODUCED, STORED IN A RETRIEVAL SYSTEM, OR TRANSMITTED IN ANY FORM, WITHOUT THE WRITTEN PERMISSION OF Iconic Elements Inc. (ICONIC METALGEAR)

36" Step Box CH Lid

REV: SHEET:

L 1 OF 1