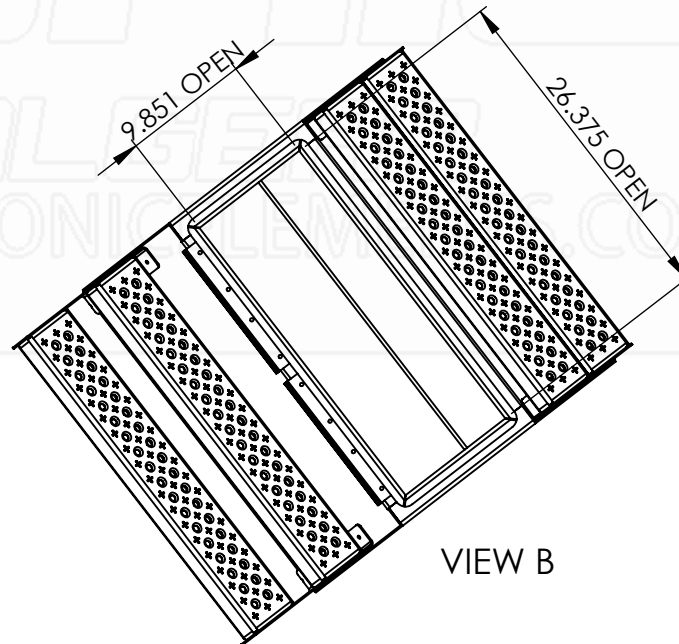
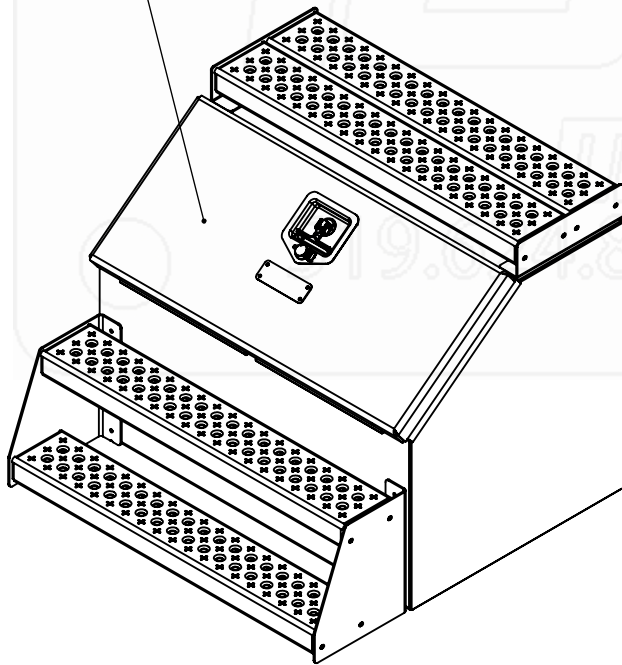


****CHECKER LID****



VIEW B

Part No.:

1512

MATERIAL: 5052 (Alum)

Approx. Weight: 60.13 lbs

Surf. Area: 72.29 sq. ft.

THICKNESS: 0.125

ICONIC ELEMENTS (ICONIC METALGEAR) TITLE:

PROPRIETARY AND CONFIDENTIAL
NO PART OF THIS DOCUMENT MAY BE REPRODUCED, STORED IN A RETRIEVAL SYSTEM, OR TRANSMITTED
IN ANY FORM, WITHOUT THE WRITTEN PERMISSION OF Iconic Elements Inc. (ICONIC METALGEAR)

FINISH: Smooth

30" Step Box CH Lid

DWG. NO.: 3313-0-00-L

REV: SHEET:

L 1 OF 1