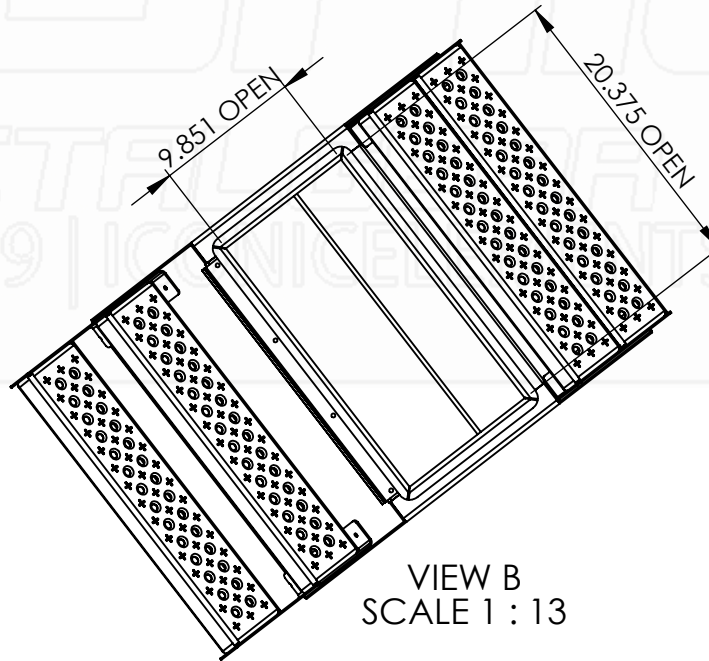
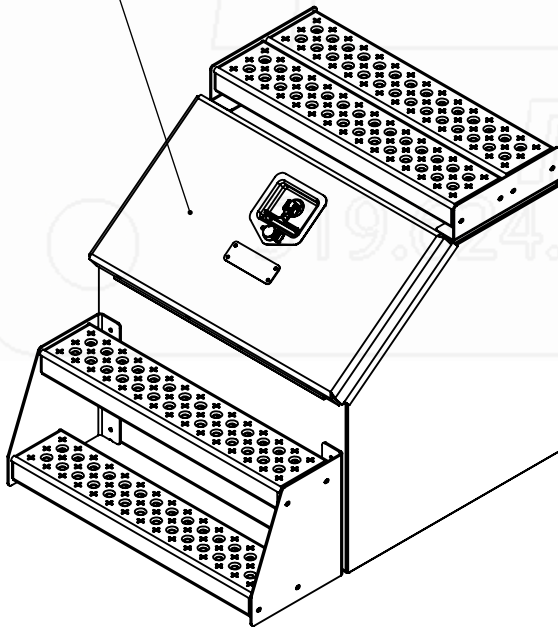


**\*\*CHECKER LID\*\***



Part No.:

**1511**

MATERIAL: 5052 (Alum)

Approx. Weight: 51.21 lbs

Surf. Area: 61.33 sq. ft.

THICKNESS: 0.125

**ICONIC ELEMENTS (ICONIC METALGEAR)** TITLE:

PROPRIETARY AND CONFIDENTIAL  
NO PART OF THIS DOCUMENT MAY BE REPRODUCED, STORED IN A RETRIEVAL SYSTEM, OR TRANSMITTED  
IN ANY FORM, WITHOUT THE WRITTEN PERMISSION OF Iconic Elements Inc. (ICONIC METALGEAR)

FINISH: Smooth

**24" Step Box CH Lid**

DWG. NO.: 3312-0-00-L

REV: SHEET:

**L** 1 OF 1