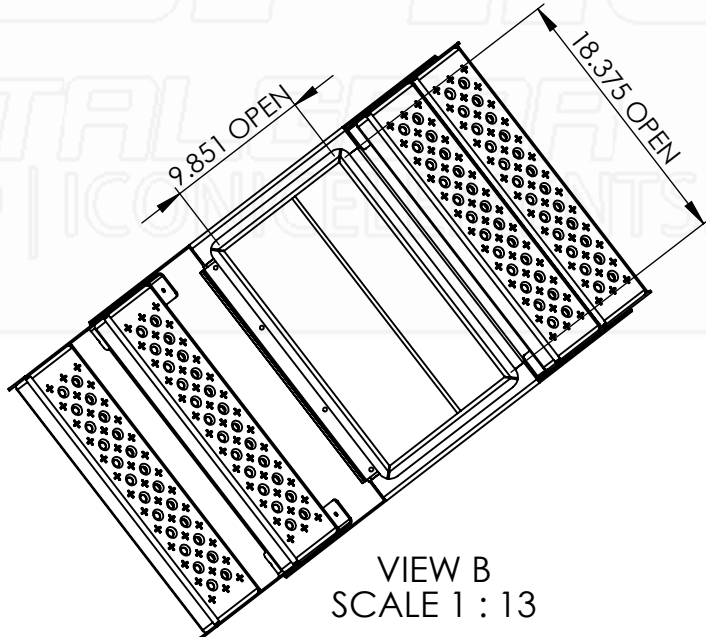
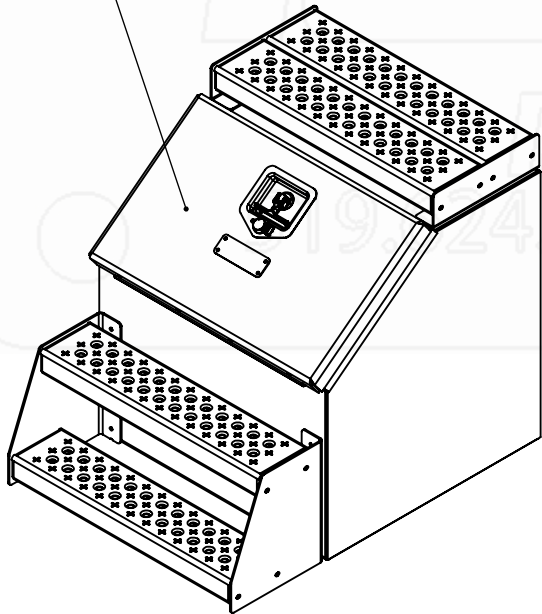


****CHECKER LID****



VIEW B
SCALE 1 : 13

Part No.:	MATERIAL: 5052 (Alum)	THICKNESS: 0.125	FINISH: Smooth	DWG. NO.: 3311-0-00-L
1510	Approx. Weight: 48.21 lbs	ICONIC ELEMENTS (ICONIC METALGEAR) TITLE:		REV: SHEET:
	Surf. Area: 57.64 sq. ft.	<small>PROPRIETARY AND CONFIDENTIAL NO PART OF THIS DOCUMENT MAY BE REPRODUCED, STORED IN A RETRIEVAL SYSTEM, OR TRANSMITTED IN ANY FORM, WITHOUT THE WRITTEN PERMISSION OF Iconic Elements Inc. (ICONIC METALGEAR)</small>		L 1 OF 1
			22" Step Box CH Lid	

5

4

3

2

1

D

C

B

A