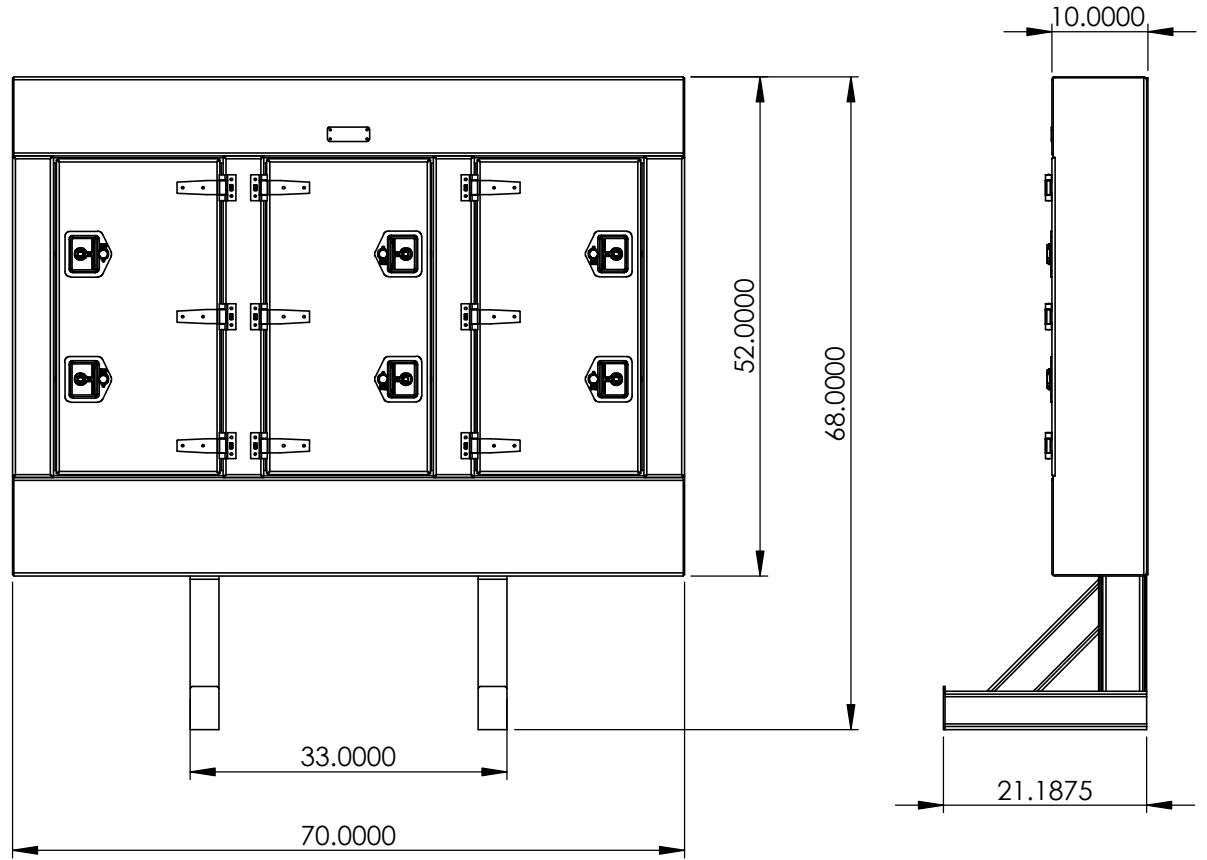
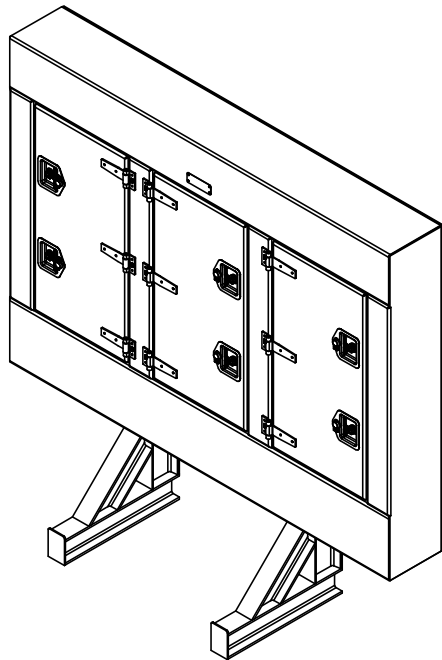


NOTES: Approx. Weight: 225.52 lbs

--- Bend down
 --- Bend up



P/N: 1306

DWG. NO.: 505-706810-000-A MATERIAL: 5052 (Alum) THICKNESS: 0.125 FINISH: Smooth

Drawn By
 Date Drawn
 Checked By

PROPRIETARY AND CONFIDENTIAL
 NO PART OF THIS DOCUMENT MAY BE REPRODUCED, STORED IN A RETRIEVAL SYSTEM, OR TRANSMITTED IN ANY FORM, WITHOUT THE WRITTEN PERMISSION OF Iconic Elements Inc.

ICONIC ELEMENTS
 UNLESS OTHERWISE SPECIFIED: DIMENSIONS ARE IN INCHES
 TOLERANCES: X/X±1/16" .XX±.01" .XXX±.005"

TITLE:
Headache Rack

REV: A SHEET: 1 OF 2

5

4

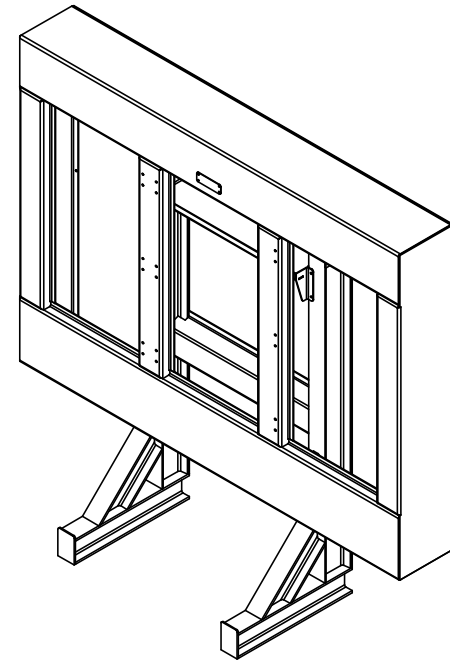
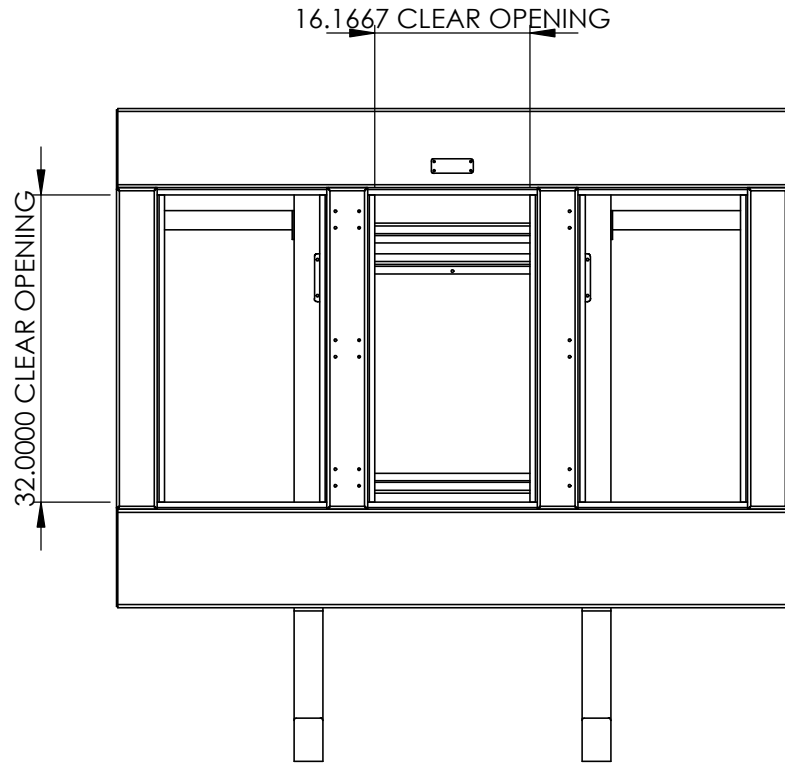
3

2

1

NOTES:

- — — Bend down
- — — Bend up



DWG. NO.: 505-706810-000-A

MATERIAL: 5052 (Alum)

THICKNESS: 0.125

FINISH: Smooth

Drawn By
Date Drawn
Checked By

PROPRIETARY AND CONFIDENTIAL

NO PART OF THIS DOCUMENT MAY BE REPRODUCED, STORED IN A RETRIEVAL SYSTEM, OR TRANSMITTED IN ANY FORM, WITHOUT THE WRITTEN PERMISSION OF Iconic Elements Inc.

ICONIC ELEMENTS

UNLESS OTHERWISE SPECIFIED: DIMENSIONS ARE IN INCHES
TOLERANCES: X/X±1/16" .XX±.01" .XXX±.005"

TITLE:

Headache Rack

REV:

A

SHEET:

2 OF 2

5

4

3

2

1