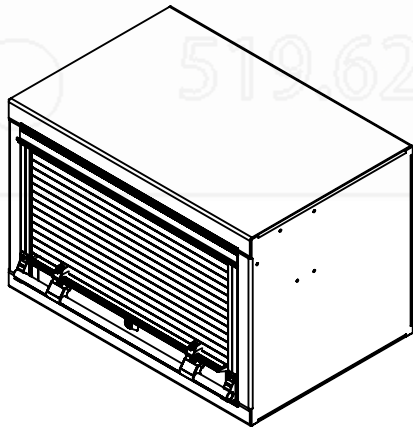
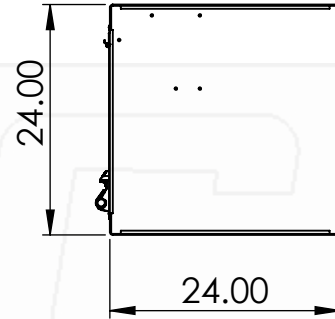
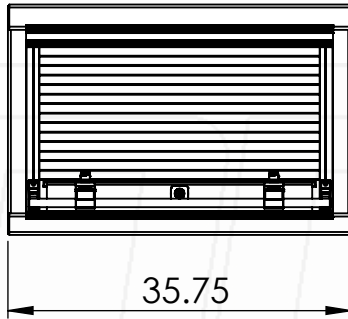
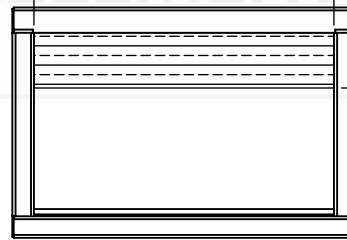


REVISIONS			
REV.	DESCRIPTION	DATE	REV BY
A	Preliminary	2022-07/27	RM



31.25 CLEAR OPENING

12.63 CLEAR OPENING



Part No.:

1080

MATERIAL: 5052 (Alum)

THICKNESS: 0.125

FINISH: Smooth

DWG. NO.: 3150-0-00-A

Approx. Weight: 61.01 lbs

Surf. Area: 95.38 sq. ft.

ICONIC ELEMENTS (ICONIC METALGEAR) TITLE:

PROPRIETARY AND CONFIDENTIAL
NO PART OF THIS DOCUMENT MAY BE REPRODUCED, STORED IN A RETRIEVAL SYSTEM, OR TRANSMITTED IN ANY FORM, WITHOUT THE WRITTEN PERMISSION OF Iconic Elements Inc. (ICONIC METALGEAR)

362424 Roll Up Door Box

REV: SHEET:

A 1 OF 1

5

4

3

2

1

D

C

B

A